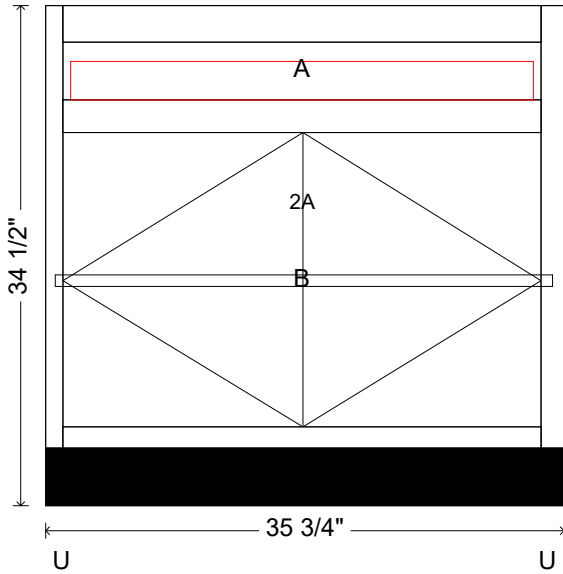


Eddy's Shop
 2251 Francis, St.
 Elkhart, IN
 555-555-5555

CAB 01 [base] [Stn File: red oak arch top uppers.stn]
 [room1] [wall1]

(W) 35 3/4" x (H) 34 1/2" x (D) 24"
 left scribe: 1/4" right scribe: 1/4"

(Overall width and height may not match cabinet width and height. Confirm by checking your measurements.)



OPENING	DESCRIPTION	WIDTH	HEIGHT
OPENINGS			
A	Drawer	33"	x 4"
B	Door (pair)	33"	x 20 1/4"

OPENING	DESCRIPTION	WIDTH	HEIGHT	DADO DEPTH	DADO LOCATION (From bottom of opening)
SHELF OPENINGS					
2A	Open	33 3/4" x	9 3/4"	1/4"	9 3/4"

OPENING	QTY	DESCRIPTION
DOORS / DRAWER-FRONTS		
A	1	3/4"slab (horizontal grain)(Red Oak) with edging (Red Oak) SIZE = 34"W x 5"H x 3/4"T
B	2	3/4"square frame (Red Oak) with raised panel(s) (Red Oak) SIZE = 16 7/8"W x 21 1/4"H x 3/4"T

QTY	WIDTH	LENGTH	THICKNESS	PART	MATERIAL
FACE FRAME					
1	2 1/2"	x 34 1/2"	x 3/4"	Top Rail	Red Oak
1	2 1/4"	x 34 1/2"	x 3/4"	Center Rail	Red Oak
1	1 1/2"	x 34 1/2"	x 3/4"	Bottom Rail	Red Oak
1	1 1/2"	x 30 1/2"	x 3/4"	Right Stile	Red Oak
1	1 1/4"	x 30 1/2"	x 3/4"	Left Stile	Red Oak

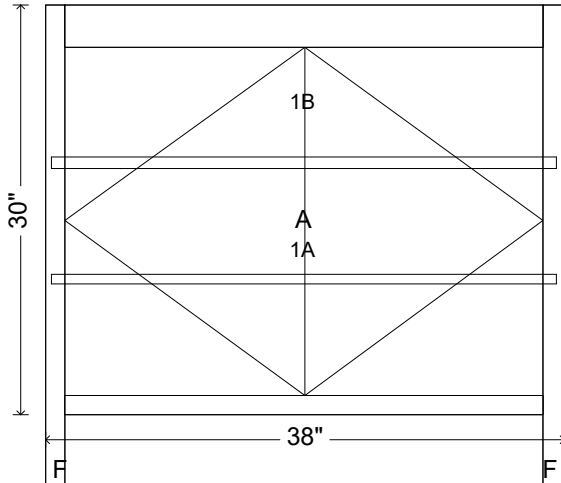
BOX PARTS					
1	34 1/4"	x 29 1/4"	x 1/4"	Back	Melamine (white 1-sided)
1	23 1/4"	x 34 1/4"	x 3/4"	Bottom	Melamine (white 1-sided)
1	23 1/4"	x 29 3/4"	x 3/4"	Right Panel	Melamine (white 1-sided)
1	23 1/4"	x 29 3/4"	x 3/4"	Left Panel	Melamine (white 1-sided)
1	22 1/4"	x 34 1/4"	x 3/4"	Fixed Shelf	Melamine (white 2-sided)
1	4 3/4"	x 35 3/4"	x 3/4"	Back Toe Kick	Particle Board
1	4 3/4"	x 35 3/4"	x 3/4"	Front Toe Kick	Particle Board
4	4 3/4"	x 17 1/2"	x 3/4"	Sleeper	Particle Board
2	4"	x 33 3/4"	x 3/4"	Stretcher	Particle Board
2	4"	x 33 3/4"	x 3/4"	Nailer	Particle Board

Eddy's Shop
 2251 Francis, St.
 Elkhart, IN
 555-555-5555

CAB 02 [upper] [Stn File: red oak arch top uppers.stn]
 [room1] [wall1]

(W) 38" x (H) 30" x (D) 32"
 left scribe: 0" right scribe: 0"

(Overall width and height may not match cabinet width and height. Confirm by checking your measurements.)



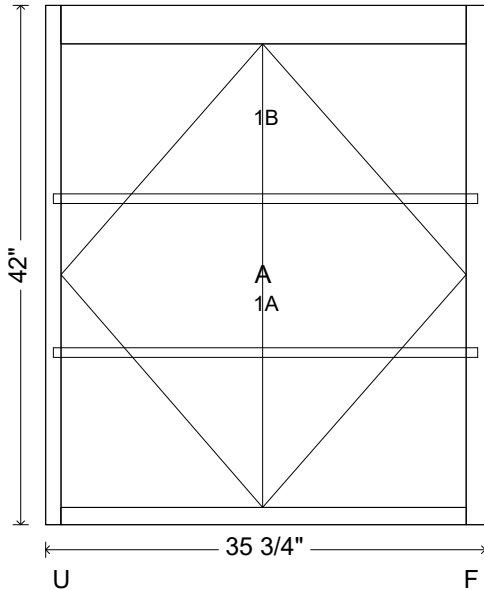
OPENING	DESCRIPTION	WIDTH	HEIGHT		
OPENINGS					
A	Door (pair)	35"	x	25 1/2"	
OPENING	DESCRIPTION	WIDTH	HEIGHT	DADO DEPTH	DADO LOCATION (From bottom of opening)
SHELF OPENINGS					
1B	Open	36 1/2"	x	8 1/8"	16 5/8"
1A	Open	36 1/2"	x	7 3/4"	8 1/8"
OPENING	QTY	DESCRIPTION			
DOORS / DRAWER-FRONTS					
A	2	3/4"simple arch frame (Red Oak) with raised panel(s) (Red Oak) SIZE = 17 7/8"W x 26 1/2"H x 3/4"T			
SIDE	QTY	DESCRIPTION			
PLANT-ONS					
right	1	3/4"double compound arch frame (Red Oak) with raised panel(s) (Red Oak) SIZE = 31 3/4"W x 96"H x 3/4"T			
left	1	3/4"double compound arch frame (Red Oak) with raised panel(s) (Red Oak) SIZE = 31 3/4"W x 96"H x 3/4"T			
QTY	WIDTH	LENGTH	THICKNESS	PART	MATERIAL
FACE FRAME					
1	3"	x 36 1/2"	x 3/4"	Top Rail	Red Oak
1	1 1/2"	x 96"	x 3/4"	Right Stile	Red Oak
1	1 1/2"	x 96"	x 3/4"	Left Stile	Red Oak
1	1 1/2"	x 36 1/2"	x 3/4"	Bottom Rail	Red Oak
BOX PARTS					
1	37"	x 28 1/4"	x 1/4"	Back	Melamine (white 1-sided)
1	31 3/4"	x 96"	x 3/4"	Left Plant-On	see plant-on properties
1	31 3/4"	x 96"	x 3/4"	Right Plant-On	see plant-on properties
1	31 1/4"	x 37"	x 3/4"	Top	Melamine (white 1-sided)
1	31 1/4"	x 37"	x 3/4"	Bottom	Melamine (white 1-sided)
2	30 1/4"	x 37"	x 3/4"	Fixed Shelf	Melamine (white 2-sided)
2	4"	x 36 1/2"	x 3/4"	Nailer	Particle Board

Eddy's Shop
 2251 Francis, St.
 Elkhart, IN
 555-555-5555

CAB 03 [upper] [Stn File: red oak arch top uppers.stn]
 [room1] [wall1]

(W) 35 3/4" x (H) 42" x (D) 12"
 left scribe: 1/4" right scribe: 0"

(Overall width and height may not match cabinet width and height. Confirm by checking your measurements.)



OPENING	DESCRIPTION	WIDTH	HEIGHT
OPENINGS			
A	Door (pair)	33"	x 37 1/2"

OPENING	DESCRIPTION	WIDTH	HEIGHT	DADO DEPTH	DADO LOCATION (From bottom of opening)
SHELF OPENINGS					
1B	Open	34"	x 12 1/8"	1/4"	24 5/8"
1A	Open	34"	x 11 3/4"	1/4"	12 1/8"

OPENING	QTY	DESCRIPTION
DOORS / DRAWER-FRONTS		
A	2	3/4" simple arch frame (Red Oak) with raised panel(s) (Red Oak) SIZE = 16 7/8"W x 38 1/2"H x 3/4"T

QTY	WIDTH	LENGTH	THICKNESS	PART	MATERIAL
FACE FRAME					
1	3"	x 34 1/2"	x 3/4"	Top Rail	Red Oak
1	1 1/2"	x 42"	x 3/4"	Right Stile	Red Oak
1	1 1/2"	x 34 1/2"	x 3/4"	Bottom Rail	Red Oak
1	1 1/4"	x 42"	x 3/4"	Left Stile	Red Oak

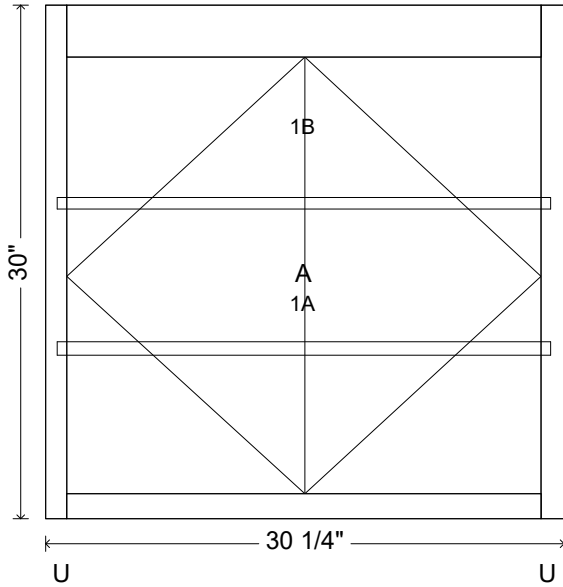
BOX PARTS					
1	34 1/2"	x 40 1/4"	x 1/4"	Back	Melamine (white 1-sided)
1	11 1/4"	x 42"	x 3/4"	Right Panel	Red Oak Plywood
1	11 1/4"	x 41 1/4"	x 3/4"	Left Panel	Melamine (white 1-sided)
1	11 1/4"	x 34 1/2"	x 3/4"	Top	Melamine (white 1-sided)
1	11 1/4"	x 34 1/2"	x 3/4"	Bottom	Melamine (white 1-sided)
2	10 1/4"	x 34 1/2"	x 3/4"	Fixed Shelf	Melamine (white 2-sided)
2	4"	x 34"	x 3/4"	Nailer	Particle Board

Eddy's Shop
 2251 Francis, St.
 Elkhart, IN
 555-555-5555

CAB 04 [upper] [Stn File: red oak arch top uppers.stn]
 [room1] [wall1]

(W) 30 1/4" x (H) 30" x (D) 12"
 left scribe: 1/4" right scribe: 1/4"

(Overall width and height may not match cabinet width and height. Confirm by checking your measurements.)



OPENING	DESCRIPTION	WIDTH	HEIGHT
OPENINGS			
A	Door (pair)	27 3/4"	x 25 1/2"

OPENING	DESCRIPTION	WIDTH	HEIGHT	DADO DEPTH	DADO LOCATION (From bottom of opening)
SHELF OPENINGS					
1B	Open	28 1/4"	x 8 1/8"	1/4"	16 5/8"
1A	Open	28 1/4"	x 7 3/4"	1/4"	8 1/8"

OPENING	QTY	DESCRIPTION
DOORS / DRAWER-FRONTS		
A	2	3/4" simple arch frame (Red Oak) with raised panel(s) (Red Oak) SIZE = 14 1/4"W x 26 1/2"H x 3/4"T

QTY	WIDTH	LENGTH	THICKNESS	PART	MATERIAL
FACE FRAME					
1	3"	x 29 1/4"	x 3/4"	Top Rail	Red Oak
1	1 1/2"	x 29 1/4"	x 3/4"	Bottom Rail	Red Oak
1	1 1/4"	x 30"	x 3/4"	Right Stile	Red Oak
1	1 1/4"	x 30"	x 3/4"	Left Stile	Red Oak

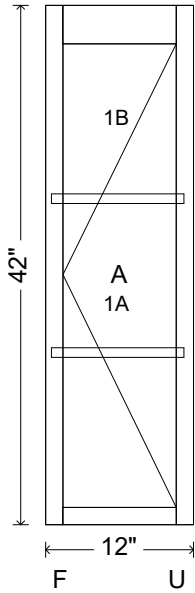
QTY	WIDTH	LENGTH	THICKNESS	PART	MATERIAL
BOX PARTS					
1	28 3/4"	x 28 1/4"	x 1/4"	Back	Melamine (white 1-sided)
1	11 1/4"	x 29 1/4"	x 3/4"	Right Panel	Melamine (white 1-sided)
1	11 1/4"	x 29 1/4"	x 3/4"	Left Panel	Melamine (white 1-sided)
1	11 1/4"	x 28 3/4"	x 3/4"	Top	Melamine (white 1-sided)
1	11 1/4"	x 28 3/4"	x 3/4"	Bottom	Melamine (white 1-sided)
2	10 1/4"	x 28 3/4"	x 3/4"	Fixed Shelf	Melamine (white 2-sided)
2	4"	x 28 1/4"	x 3/4"	Nailer	Particle Board

Eddy's Shop
 2251 Francis, St.
 Elkhart, IN
 555-555-5555

CAB 05 [upper] [Stn File: red oak arch top uppers.stn]
 [room1] [wall1]

(W) 12" x (H) 42" x (D) 12"
 left scribe: 0" right scribe: 1/4"

(Overall width and height may not match cabinet width and height. Confirm by checking your measurements.)



OPENING	DESCRIPTION	WIDTH	HEIGHT
OPENINGS			
A	Door (single)	9 1/4"	x 37 1/2"

OPENING	DESCRIPTION	WIDTH	HEIGHT	DADO DEPTH	DADO LOCATION (From bottom of opening)
SHELF OPENINGS					
1B	Open	10 1/4"	x 12 1/8"	1/4"	24 5/8"
1A	Open	10 1/4"	x 11 3/4"	1/4"	12 1/8"

OPENING	QTY	DESCRIPTION
DOORS / DRAWER-FRONTS		
A	1	3/4"simple arch frame (Red Oak) with raised panel(s) (Red Oak) SIZE = 10 1/4"W x 38 1/2"H x 3/4"T

QTY	WIDTH	LENGTH	THICKNESS	PART	MATERIAL
FACE FRAME					
1	3"	x 10 3/4"	x 3/4"	Top Rail	Red Oak
1	1 1/2"	x 42"	x 3/4"	Left Stile	Red Oak
1	1 1/2"	x 10 3/4"	x 3/4"	Bottom Rail	Red Oak
1	1 1/4"	x 42"	x 3/4"	Right Stile	Red Oak

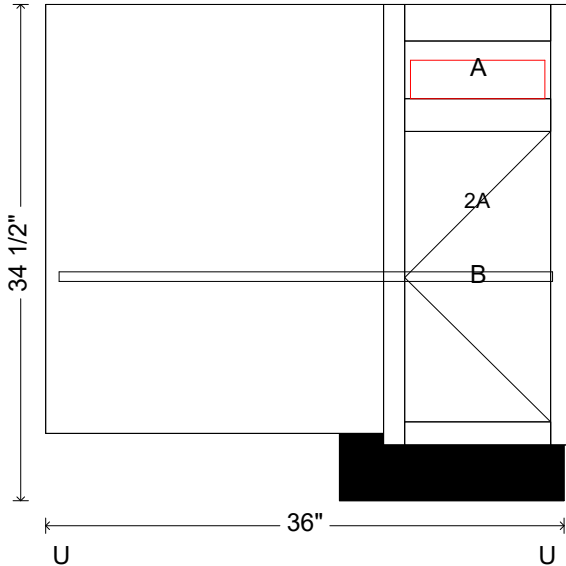
BOX PARTS					
1	11 1/4"	x 42"	x 3/4"	Left Panel	Red Oak Plywood
1	11 1/4"	x 41 1/4"	x 3/4"	Right Panel	Melamine (white 1-sided)
1	11 1/4"	x 10 3/4"	x 3/4"	Top	Melamine (white 1-sided)
1	11 1/4"	x 10 3/4"	x 3/4"	Bottom	Melamine (white 1-sided)
1	10 3/4"	x 40 1/4"	x 1/4"	Back	Melamine (white 1-sided)
2	10 1/4"	x 10 3/4"	x 3/4"	Fixed Shelf	Melamine (white 2-sided)
2	4"	x 10 1/4"	x 3/4"	Nailer	Particle Board

Eddy's Shop
 2251 Francis, St.
 Elkhart, IN
 555-555-5555

CAB 06 [base] [Stn File: red oak arch top uppers.stn]
 [room1] [wall2]

(W) 36" x (H) 34 1/2" x (D) 36"
 left scribe: 1/4" right scribe: 1/4"

(Overall width and height may not match cabinet width and height. Confirm by checking your measurements.)



OPENING	DESCRIPTION	WIDTH	HEIGHT
OPENINGS			
A	Drawer	14 7/32"	x 4"
B	Door (single)	14 7/32"	x 20 1/4"

OPENING	DESCRIPTION	WIDTH	HEIGHT	DADO DEPTH	DADO LOCATION (From bottom of opening)
SHELF OPENINGS					
2A	Open	14 7/32" x	9 3/4"	1/4"	9 3/4"

OPENING	QTY	DESCRIPTION
DOORS / DRAWER-FRONTS		
B	1	3/4"square frame (Red Oak) with raised panel(s) (Red Oak) SIZE = 15 7/32"W x 21 1/4"H x 3/4"T
A	1	3/4"slab (horizontal grain)(Red Oak) with edging (Red Oak) SIZE = 15 7/32"W x 5"H x 3/4"T

QTY	WIDTH	LENGTH	THICKNESS	PART	MATERIAL
FACE FRAME					
1	2 1/2"	x 15 23/32"	x 3/4"	Top Rail	Red Oak
1	2 1/4"	x 30 1/2"	x 3/4"	Left Stile	Red Oak
1	2 1/4"	x 15 23/32"	x 3/4"	Center Rail	Red Oak
1	2"	x 30 1/2"	x 3/4"	Right Stile	Red Oak
1	1 1/2"	x 15 23/32"	x 3/4"	Bottom Rail	Red Oak

QTY	WIDTH	LENGTH	THICKNESS	PART	MATERIAL
BOX PARTS					
1	35 1/4"	x 35 1/4"	x 3/4"	Bottom	Melamine (white 1-sided)
1	34 1/2"	x 29 1/4"	x 1/4"	Corner Back	Melamine (white 1-sided)
1	34 1/4"	x 34 1/4"	x 3/4"	Fixed Shelf	Melamine (white 2-sided)
1	34 1/4"	x 29 1/4"	x 1/4"	Back	Melamine (white 1-sided)
1	23 15/16"	x 29 3/4"	x 3/4"	Right Panel	Melamine (white 1-sided)
1	23 15/16"	x 29 3/4"	x 3/4"	Corner Left Panel	Melamine (white 1-sided)
1	4 3/4"	x 36"	x 3/4"	Corner Back Toe Kick	Particle Board
1	4 3/4"	x 33 1/4"	x 3/4"	Back Toe Kick	Particle Board
1	4 3/4"	x 22 31/32"	x 3/4"	Front Toe Kick	Particle Board
2	4"	x 34"	x 3/4"	Corner Nailers	Particle Board
2	4"	x 33 1/4"	x 3/4"	Nailers	Particle Board

Eddy's Shop
 2251 Francis, St.
 Elkhart, IN
 555-555-5555

ASSEMBLY SHEET FOR CAB 06

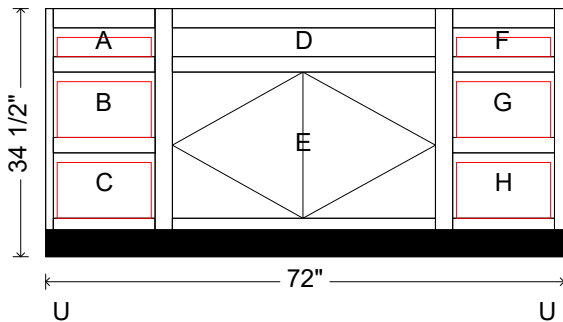
QTY	SIZE			PART	MATERIAL
BOX PARTS (continued)					
1	4"	x 33 1/4"	x 3/4"	Corner Stretcher	Particle Board
1	4"	x 29 1/4"	x 3/4"	Stretcher	Particle Board
1	4"	x 24 15/32"	x 3/4"	Angled Stretcher	Particle Board

Eddy's Shop
 2251 Francis, St.
 Elkhart, IN
 555-555-5555

CAB 07 [base] [Stn File: red oak arch top uppers.stn]
 [room1] [wall2]

(W) 72" x (H) 34 1/2" x (D) 24"
 left scribe: 1/4" right scribe: 1/4"

(Overall width and height may not match cabinet width and height. Confirm by checking your measurements.)



OPENING	DESCRIPTION	WIDTH	HEIGHT
OPENINGS			
A	Drawer	14 7/64"	x 4"
B	Drawer	14 7/64"	x 9"
C	Drawer	14 7/64"	x 9"
D	Sink Top	36 25/32"	x 4"
E	Door (pair)	36 25/32"	x 20 1/4"
F	Drawer	14 7/64"	x 4"
G	Drawer	14 7/64"	x 9"
H	Drawer	14 7/64"	x 9"

OPENING	QTY	DESCRIPTION
DOORS / DRAWER-FRONTS		
D	1	3/4"slab (horizontal grain)(Red Oak) with edging (Red Oak) SIZE = 37 25/32"W x 5"H x 3/4"T
E	2	3/4"square frame (Red Oak) with raised panel(s) (Red Oak) SIZE = 18 49/64"W x 21 1/4"H x 3/4"T
H	1	3/4"slab (horizontal grain)(Red Oak) with edging (Red Oak) SIZE = 15 7/64"W x 10"H x 3/4"T
G	1	3/4"slab (horizontal grain)(Red Oak) with edging (Red Oak) SIZE = 15 7/64"W x 10"H x 3/4"T
F	1	3/4"slab (horizontal grain)(Red Oak) with edging (Red Oak) SIZE = 15 7/64"W x 5"H x 3/4"T
C	1	3/4"slab (horizontal grain)(Red Oak) with edging (Red Oak) SIZE = 15 7/64"W x 10"H x 3/4"T
B	1	3/4"slab (horizontal grain)(Red Oak) with edging (Red Oak) SIZE = 15 7/64"W x 10"H x 3/4"T
A	1	3/4"slab (horizontal grain)(Red Oak) with edging (Red Oak) SIZE = 15 7/64"W x 5"H x 3/4"T

QTY	WIDTH	LENGTH	THICKNESS	PART	MATERIAL
FACE FRAME					
1	2 1/2"	x 38 9/32"	x 3/4"	Top Rail	Red Oak
2	2 1/2"	x 15 39/64"	x 3/4"	Top Rail	Red Oak
1	2 1/4"	x 38 9/32"	x 3/4"	Center Rail	Red Oak
2	2 1/4"	x 30 1/2"	x 3/4"	Center Stile	Red Oak
4	2 1/4"	x 15 39/64"	x 3/4"	Center Rail	Red Oak
1	1 1/2"	x 38 9/32"	x 3/4"	Bottom Rail	Red Oak
2	1 1/2"	x 15 39/64"	x 3/4"	Bottom Rail	Red Oak

Eddy's Shop
 2251 Francis, St.
 Elkhart, IN
 555-555-5555

ASSEMBLY SHEET FOR CAB 07

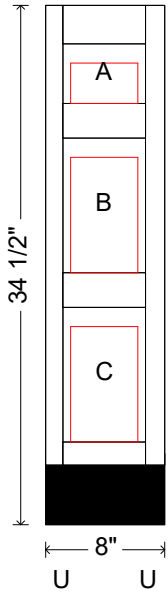
QTY	SIZE			PART	MATERIAL	
FACE FRAME (continued)						
1	1 1/4"	x	30 1/2"	x 3/4"	Right Stile	Red Oak
1	1 1/4"	x	30 1/2"	x 3/4"	Left Stile	Red Oak
BOX PARTS						
1	39 1/32"	x	29 1/4"	x 1/4"	Back	Melamine (white 1-sided)
1	23 1/4"	x	38 9/32"	x 3/4"	Bottom	Melamine (white 1-sided)
1	23 1/4"	x	29 3/4"	x 3/4"	Right Panel	Melamine (white 1-sided)
1	23 1/4"	x	29 3/4"	x 3/4"	Left Panel	Melamine (white 1-sided)
2	23 1/4"	x	15 23/64"	x 3/4"	Bottom	Melamine (white 1-sided)
2	22 1/4"	x	29 3/4"	x 3/4"	Partition	Melamine (white 2-sided)
2	15 47/64"	x	29 1/4"	x 1/4"	Back	Melamine (white 1-sided)
1	4 3/4"	x	72"	x 3/4"	Back Toe Kick	Particle Board
1	4 3/4"	x	72"	x 3/4"	Front Toe Kick	Particle Board
7	4 3/4"	x	17 1/2"	x 3/4"	Sleeper	Particle Board
2	4"	x	38 9/32"	x 3/4"	Stretcher	Particle Board
2	4"	x	38 9/32"	x 3/4"	Nailer	Particle Board
4	4"	x	15 7/64"	x 3/4"	Stretcher	Particle Board
4	4"	x	15 7/64"	x 3/4"	Nailer	Particle Board

Eddy's Shop
 2251 Francis, St.
 Elkhart, IN
 555-555-5555

CAB 08 [base] [Stn File: red oak arch top uppers.stn]
 [room1] [wall2]

(W) 8" x (H) 34 1/2" x (D) 24"
 left scribe: 1/4" right scribe: 1/4"

(Overall width and height may not match cabinet width and height. Confirm by checking your measurements.)



OPENING	DESCRIPTION	WIDTH	HEIGHT
OPENINGS			
A	Drawer	5 1/2"	x 4"
B	Drawer	5 1/2"	x 9"
C	Drawer	5 1/2"	x 9"

OPENING	QTY	DESCRIPTION
DOORS / DRAWER-FRONTS		
C	1	3/4"slab (horizontal grain)(Red Oak) with edging (Red Oak) SIZE = 6 1/2"W x 10"H x 3/4"T
B	1	3/4"slab (horizontal grain)(Red Oak) with edging (Red Oak) SIZE = 6 1/2"W x 10"H x 3/4"T
A	1	3/4"slab (horizontal grain)(Red Oak) with edging (Red Oak) SIZE = 6 1/2"W x 5"H x 3/4"T

QTY	WIDTH	LENGTH	THICKNESS	PART	MATERIAL
FACE FRAME					
1	2 1/2"	x 7"	x 3/4"	Top Rail	Red Oak
2	2 1/4"	x 7"	x 3/4"	Center Rail	Red Oak
1	1 1/2"	x 7"	x 3/4"	Bottom Rail	Red Oak
1	1 1/4"	x 30 1/2"	x 3/4"	Right Stile	Red Oak
1	1 1/4"	x 30 1/2"	x 3/4"	Left Stile	Red Oak

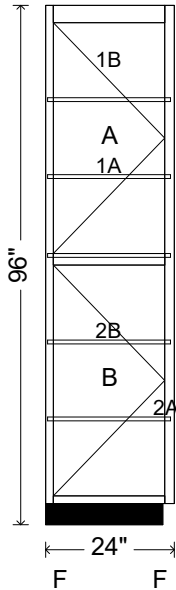
BOX PARTS					
1	23 1/4"	x 29 3/4"	x 3/4"	Right Panel	Melamine (white 1-sided)
1	23 1/4"	x 29 3/4"	x 3/4"	Left Panel	Melamine (white 1-sided)
1	23 1/4"	x 6 1/2"	x 3/4"	Bottom	Melamine (white 1-sided)
1	6 1/2"	x 29 1/4"	x 1/4"	Back	Melamine (white 1-sided)
2	4 3/4"	x 17 1/2"	x 3/4"	Sleeper	Particle Board
1	4 3/4"	x 8"	x 3/4"	Back Toe Kick	Particle Board
1	4 3/4"	x 8"	x 3/4"	Front Toe Kick	Particle Board
2	4"	x 6"	x 3/4"	Stretcher	Particle Board
2	4"	x 6"	x 3/4"	Nailer	Particle Board

Eddy's Shop
 2251 Francis, St.
 Elkhart, IN
 555-555-5555

CAB 09 [full-height] [Stn File: red oak arch top uppers.stn]
 [room1] [wall2]

(W) 24" x (H) 96" x (D) 25"
 left scribe: 0" right scribe: 0"

(Overall width and height may not match cabinet width and height. Confirm by checking your measurements.)



OPENING	DESCRIPTION	WIDTH	HEIGHT
OPENINGS			
A	Door (single)	21"	x 42 5/8"
B	Door (single)	21"	x 42 5/8"

OPENING	DESCRIPTION	WIDTH	HEIGHT	DADO DEPTH	DADO LOCATION (From bottom of opening)
SHELF OPENINGS					
1B	Open	22 1/2" x	13 53/64"	1/4"	28 3/64"
1A	Open	22 1/2" x	13 29/64"	1/4"	13 53/64"
2B	Open	22 1/2" x	13 53/64"	1/4"	28 3/64"
2A	Open	22 1/2" x	13 29/64"	1/4"	13 53/64"

OPENING	QTY	DESCRIPTION
DOORS / DRAWER-FRONTS		
B	1	3/4"square frame (Red Oak) with raised panel(s) (Red Oak) SIZE = 22"W x 43 5/8"H x 3/4"T
A	1	3/4"simple arch frame (Red Oak) with raised panel(s) (Red Oak) SIZE = 22"W x 43 5/8"H x 3/4"T

SIDE	QTY	DESCRIPTION
PLANT-ONS		
right	1	3/4"double compound arch frame (Red Oak) with raised panel(s) (Red Oak) SIZE = 24 3/4"W x 92"H x 3/4"T

QTY	WIDTH	LENGTH	THICKNESS	PART	MATERIAL
FACE FRAME					
1	3"	x 22 1/2"	x 3/4"	Top Rail	Red Oak
1	2 1/4"	x 22 1/2"	x 3/4"	Center Rail	Red Oak
1	1 1/2"	x 92"	x 3/4"	Right Stile	Red Oak
1	1 1/2"	x 92"	x 3/4"	Left Stile	Red Oak
1	1 1/2"	x 22 1/2"	x 3/4"	Bottom Rail	Red Oak

QTY	WIDTH	LENGTH	THICKNESS	PART	MATERIAL
BOX PARTS					
1	24 3/4"	x 92"	x 3/4"	Right Plant-On	see plant-on properties
1	24 1/4"	x 92"	x 3/4"	Left Panel	Red Oak Plywood
1	24 1/4"	x 23"	x 3/4"	Top	Melamine (white 1-sided)

Eddy's Shop
 2251 Francis, St.
 Elkhart, IN
 555-555-5555

ASSEMBLY SHEET FOR CAB 09

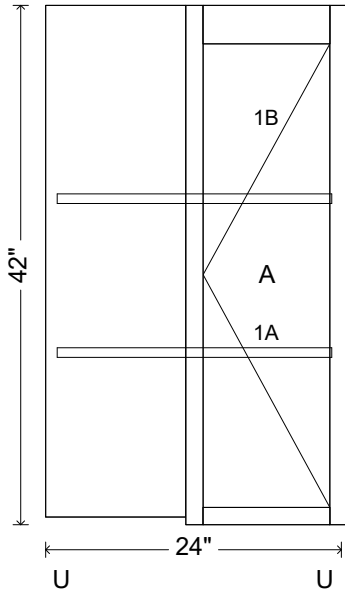
QTY	SIZE			PART	MATERIAL
BOX PARTS (continued)					
<input type="checkbox"/> 1	24 1/4"	x 23"	x 3/4"	Bottom	Melamine (white 1-sided)
<input type="checkbox"/> 5	23 1/4"	x 23"	x 3/4"	Fixed Shelf	Melamine (white 2-sided)
<input type="checkbox"/> 1	23"	x 90 1/4"	x 1/4"	Back	Melamine (white 1-sided)
<input type="checkbox"/> 1	4 3/4"	x 20"	x 3/4"	Back Toe Kick	Particle Board
<input type="checkbox"/> 1	4 3/4"	x 20"	x 3/4"	Front Toe Kick	Particle Board
<input type="checkbox"/> 3	4 3/4"	x 18 1/2"	x 3/4"	Sleeper	Particle Board
<input type="checkbox"/> 3	4"	x 22 1/2"	x 3/4"	Nailer	Particle Board

Eddy's Shop
 2251 Francis, St.
 Elkhart, IN
 555-555-5555

CAB 10 [upper] [Stn File: red oak arch top uppers.stn]
 [room1] [wall2]

(W) 24" x (H) 42" x (D) 24"
 left scribe: 1/4" right scribe: 1/4"

(Overall width and height may not match cabinet width and height. Confirm by checking your measurements.)



OPENING	DESCRIPTION	WIDTH	HEIGHT
OPENINGS			
A	Door (single)	14 15/32" x	37 1/2"

OPENING	DESCRIPTION	WIDTH	HEIGHT	DADO DEPTH	DADO LOCATION (From bottom of opening)
SHELF OPENINGS					
1B	Open	14 15/32"x	12 1/8"	1/4"	24 5/8"
1A	Open	14 15/32"x	11 3/4"	1/4"	12 1/8"

OPENING	QTY	DESCRIPTION
DOORS / DRAWER-FRONTS		
A	1	3/4"simple arch frame (Red Oak) with raised panel(s) (Red Oak) SIZE = 15 15/32"W x 38 1/2"H x 3/4"T

QTY	WIDTH	LENGTH	THICKNESS	PART	MATERIAL
FACE FRAME					
1	3"	x 15 31/32"	x 3/4"	Top Rail	Red Oak
1	2"	x 42"	x 3/4"	Right Stile	Red Oak
1	2"	x 42"	x 3/4"	Left Stile	Red Oak
1	1 1/2"	x 15 31/32"	x 3/4"	Bottom Rail	Red Oak

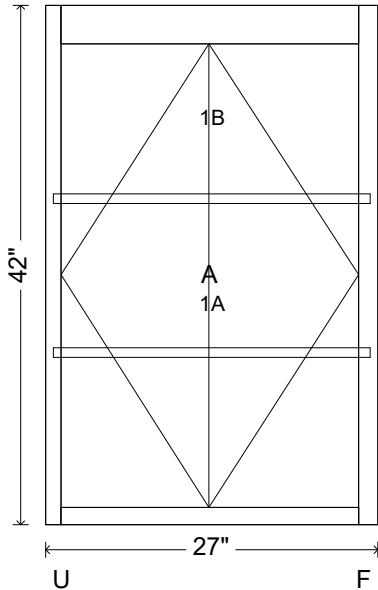
QTY	WIDTH	LENGTH	THICKNESS	PART	MATERIAL
BOX PARTS					
1	23 1/4"	x 23 1/4"	x 3/4"	Top	Melamine (white 1-sided)
1	23 1/4"	x 23 1/4"	x 3/4"	Bottom	Melamine (white 1-sided)
1	22 1/2"	x 40 1/4"	x 1/4"	Corner Back	Melamine (white 1-sided)
1	22 1/4"	x 40 1/4"	x 1/4"	Back	Melamine (white 1-sided)
2	22 1/4"	x 22 1/4"	x 3/4"	Fixed Shelf	Melamine (white 2-sided)
1	11 15/16"	x 41 1/4"	x 3/4"	Right Panel	Melamine (white 1-sided)
1	11 15/16"	x 41 1/4"	x 3/4"	Corner Left Panel	Melamine (white 1-sided)
2	4"	x 22"	x 3/4"	Corner Nailers	Particle Board
2	4"	x 21 1/4"	x 3/4"	Nailers	Particle Board

Eddy's Shop
 2251 Francis, St.
 Elkhart, IN
 555-555-5555

CAB 11 [upper] [Stn File: red oak arch top uppers.stn]
 [room1] [wall2]

(W) 27" x (H) 42" x (D) 12"
 left scribe: 1/4" right scribe: 0"

(Overall width and height may not match cabinet width and height. Confirm by checking your measurements.)



OPENING	DESCRIPTION	WIDTH	HEIGHT
OPENINGS			
A	Door (pair)	24 1/4"	x 37 1/2"

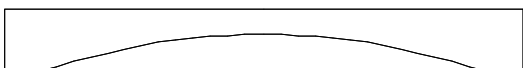
OPENING	DESCRIPTION	WIDTH	HEIGHT	DADO DEPTH	DADO LOCATION (From bottom of opening)
SHELF OPENINGS					
1B	Open	25 1/4"	x 12 1/8"	1/4"	24 5/8"
1A	Open	25 1/4"	x 11 3/4"	1/4"	12 1/8"

OPENING	QTY	DESCRIPTION
DOORS / DRAWER-FRONTS		
A	2	3/4" simple arch frame (Red Oak) with raised panel(s) (Red Oak) SIZE = 12 1/2"W x 38 1/2"H x 3/4"T

QTY	WIDTH	LENGTH	THICKNESS	PART	MATERIAL
FACE FRAME					
1	3"	x 25 3/4"	x 3/4"	Top Rail	Red Oak
1	1 1/2"	x 42"	x 3/4"	Right Stile	Red Oak
1	1 1/2"	x 25 3/4"	x 3/4"	Bottom Rail	Red Oak
1	1 1/4"	x 42"	x 3/4"	Left Stile	Red Oak

BOX PARTS					
1	25 3/4"	x 40 1/4"	x 1/4"	Back	Melamine (white 1-sided)
1	11 1/4"	x 42"	x 3/4"	Right Panel	Red Oak Plywood
1	11 1/4"	x 41 1/4"	x 3/4"	Left Panel	Melamine (white 1-sided)
1	11 1/4"	x 25 3/4"	x 3/4"	Top	Melamine (white 1-sided)
1	11 1/4"	x 25 3/4"	x 3/4"	Bottom	Melamine (white 1-sided)
2	10 1/4"	x 25 3/4"	x 3/4"	Fixed Shelf	Melamine (white 2-sided)
2	4"	x 25 1/4"	x 3/4"	Nailer	Particle Board

Eddy's Shop
2251 Francis, St.
Elkhart, IN
555-555-5555

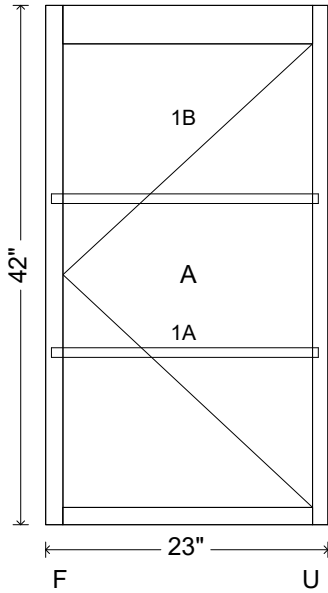


Eddy's Shop
 2251 Francis, St.
 Elkhart, IN
 555-555-5555

CAB 13 [upper] [Stn File: red oak arch top uppers.stn]
 [room1] [wall2]

(W) 23" x (H) 42" x (D) 12"
 left scribe: 0" right scribe: 1/4"

(Overall width and height may not match cabinet width and height. Confirm by checking your measurements.)



OPENING	DESCRIPTION	WIDTH	HEIGHT
OPENINGS			
A	Door (single)	20 1/4"	x 37 1/2"

OPENING	DESCRIPTION	WIDTH	HEIGHT	DADO DEPTH	DADO LOCATION (From bottom of opening)
SHELF OPENINGS					
1B	Open	21 1/4"	x 12 1/8"	1/4"	24 5/8"
1A	Open	21 1/4"	x 11 3/4"	1/4"	12 1/8"

OPENING	QTY	DESCRIPTION
DOORS / DRAWER-FRONTS		
A	1	3/4"simple arch frame (Red Oak) with raised panel(s) (Red Oak) SIZE = 21 1/4"W x 38 1/2"H x 3/4"T

QTY	WIDTH	LENGTH	THICKNESS	PART	MATERIAL
FACE FRAME					
1	3"	x 21 3/4"	x 3/4"	Top Rail	Red Oak
1	1 1/2"	x 42"	x 3/4"	Left Stile	Red Oak
1	1 1/2"	x 21 3/4"	x 3/4"	Bottom Rail	Red Oak
1	1 1/4"	x 42"	x 3/4"	Right Stile	Red Oak

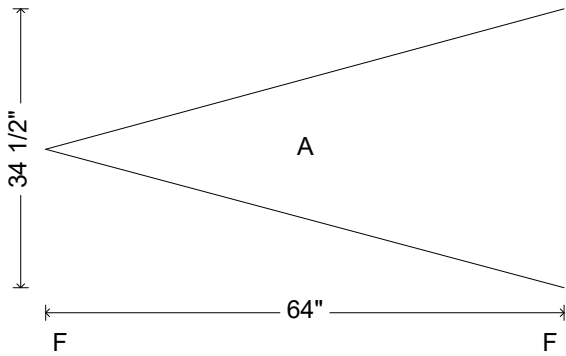
QTY	WIDTH	LENGTH	THICKNESS	PART	MATERIAL
BOX PARTS					
1	21 3/4"	x 40 1/4"	x 1/4"	Back	Melamine (white 1-sided)
1	11 1/4"	x 42"	x 3/4"	Left Panel	Red Oak Plywood
1	11 1/4"	x 41 1/4"	x 3/4"	Right Panel	Melamine (white 1-sided)
1	11 1/4"	x 21 3/4"	x 3/4"	Top	Melamine (white 1-sided)
1	11 1/4"	x 21 3/4"	x 3/4"	Bottom	Melamine (white 1-sided)
2	10 1/4"	x 21 3/4"	x 3/4"	Fixed Shelf	Melamine (white 2-sided)
2	4"	x 21 1/4"	x 3/4"	Nailer	Particle Board

Eddy's Shop
 2251 Francis, St.
 Elkhart, IN
 555-555-5555

CAB 14 [base] [Stn File: unspecified]
 [room1] [wall3]

(W) 64" x (H) 34 1/2" x (D) 3/4"
 left scribe: 0" right scribe: 0"

(Overall width and height may not match cabinet width and height. Confirm by checking your measurements.)



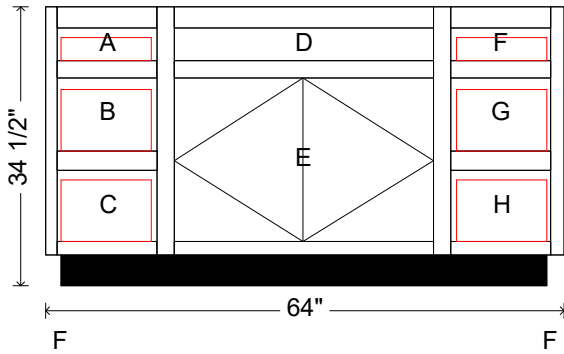
OPENING	DESCRIPTION	WIDTH	HEIGHT
OPENINGS			
A	Door (single)	64"	x 34 1/2"
OPENING	QTY	DESCRIPTION	
DOORS / DRAWER-FRONTS			
A	1	3/4"square frame with 4 wainscot panel(s) (Red Oak) using raised panel(s) (Red Oak) SIZE = 64"W x 34 1/2"H x 3/4"T	

Eddy's Shop
 2251 Francis, St.
 Elkhart, IN
 555-555-5555

CAB 15 [base] [Stn File: unspecified]
 [room1] [wall3]

(W) 64" x (H) 34 1/2" x (D) 24"
 left scribe: 0" right scribe: 0"

(Overall width and height may not match cabinet width and height. Confirm by checking your measurements.)



OPENING	DESCRIPTION	WIDTH	HEIGHT
OPENINGS			
A	Drawer	12 17/64"	x 4"
B	Drawer	12 17/64"	x 9"
C	Drawer	12 17/64"	x 9"
D	Stove Top	31 31/32"	x 4"
E	Door (pair)	31 31/32"	x 20 1/4"
F	Drawer	12 17/64"	x 4"
G	Drawer	12 17/64"	x 9"
H	Drawer	12 17/64"	x 9"

OPENING	QTY	DESCRIPTION
DOORS / DRAWER-FRONTS		
D	1	3/4"slab (horizontal grain)(Red Oak) with edging (Red Oak) SIZE = 32 31/32"W x 5"H x 3/4"T
E	2	3/4"square frame (Red Oak) with raised panel(s) (Red Oak) SIZE = 16 23/64"W x 21 1/4"H x 3/4"T
H	1	3/4"slab (horizontal grain)(Red Oak) with edging (Red Oak) SIZE = 13 17/64"W x 10"H x 3/4"T
G	1	3/4"slab (horizontal grain)(Red Oak) with edging (Red Oak) SIZE = 13 17/64"W x 10"H x 3/4"T
F	1	3/4"slab (horizontal grain)(Red Oak) with edging (Red Oak) SIZE = 13 17/64"W x 5"H x 3/4"T
C	1	3/4"slab (horizontal grain)(Red Oak) with edging (Red Oak) SIZE = 13 17/64"W x 10"H x 3/4"T
B	1	3/4"slab (horizontal grain)(Red Oak) with edging (Red Oak) SIZE = 13 17/64"W x 10"H x 3/4"T
A	1	3/4"slab (horizontal grain)(Red Oak) with edging (Red Oak) SIZE = 13 17/64"W x 5"H x 3/4"T

SIDE	QTY	DESCRIPTION
PLANT-ONS		
right	1	3/4"double compound arch frame (Red Oak) with raised panel(s) (Red Oak) SIZE = 23 3/4"W x 30 1/2"H x 3/4"T
left	1	3/4"double compound arch frame (Red Oak) with raised panel(s) (Red Oak) SIZE = 23 3/4"W x 30 1/2"H x 3/4"T

QTY	WIDTH	LENGTH	THICKNESS	PART	MATERIAL
FACE FRAME					

ASSEMBLY SHEET FOR CAB 15

QTY	SIZE			PART	MATERIAL	
FACE FRAME (continued)						
1	2 1/2"	x	31 31/32"	x 3/4"	Top Rail	Red Oak
2	2 1/2"	x	12 17/64"	x 3/4"	Top Rail	Red Oak
1	2 1/4"	x	31 31/32"	x 3/4"	Center Rail	Red Oak
2	2 1/4"	x	30 1/2"	x 3/4"	Center Stile	Red Oak
4	2 1/4"	x	12 17/64"	x 3/4"	Center Rail	Red Oak
1	1 1/2"	x	31 31/32"	x 3/4"	Bottom Rail	Red Oak
1	1 1/2"	x	30 1/2"	x 3/4"	Right Stile	Red Oak
1	1 1/2"	x	30 1/2"	x 3/4"	Left Stile	Red Oak
2	1 1/2"	x	12 17/64"	x 3/4"	Bottom Rail	Red Oak
BOX PARTS						
1	34 7/32"	x	29 1/4"	x 1/4"	Back	Melamine (white 1-sided)
1	23 3/4"	x	30 1/2"	x 3/4"	Left Plant-On	see plant-on properties
1	23 3/4"	x	30 1/2"	x 3/4"	Right Plant-On	see plant-on properties
1	23 1/4"	x	33 15/32"	x 3/4"	Bottom	Melamine (white 1-sided)
2	23 1/4"	x	14 1/64"	x 3/4"	Bottom	Melamine (white 1-sided)
2	22 1/4"	x	29 3/4"	x 3/4"	Partition	Melamine (white 2-sided)
2	14 25/64"	x	29 1/4"	x 1/4"	Back	Melamine (white 1-sided)
1	4 3/4"	x	60"	x 3/4"	Back Toe Kick	Particle Board
1	4 3/4"	x	60"	x 3/4"	Front Toe Kick	Particle Board
6	4 3/4"	x	17 1/2"	x 3/4"	Sleeper	Particle Board
2	4"	x	33 15/32"	x 3/4"	Stretcher	Particle Board
2	4"	x	33 15/32"	x 3/4"	Nailer	Particle Board
4	4"	x	13 49/64"	x 3/4"	Stretcher	Particle Board
4	4"	x	13 49/64"	x 3/4"	Nailer	Particle Board