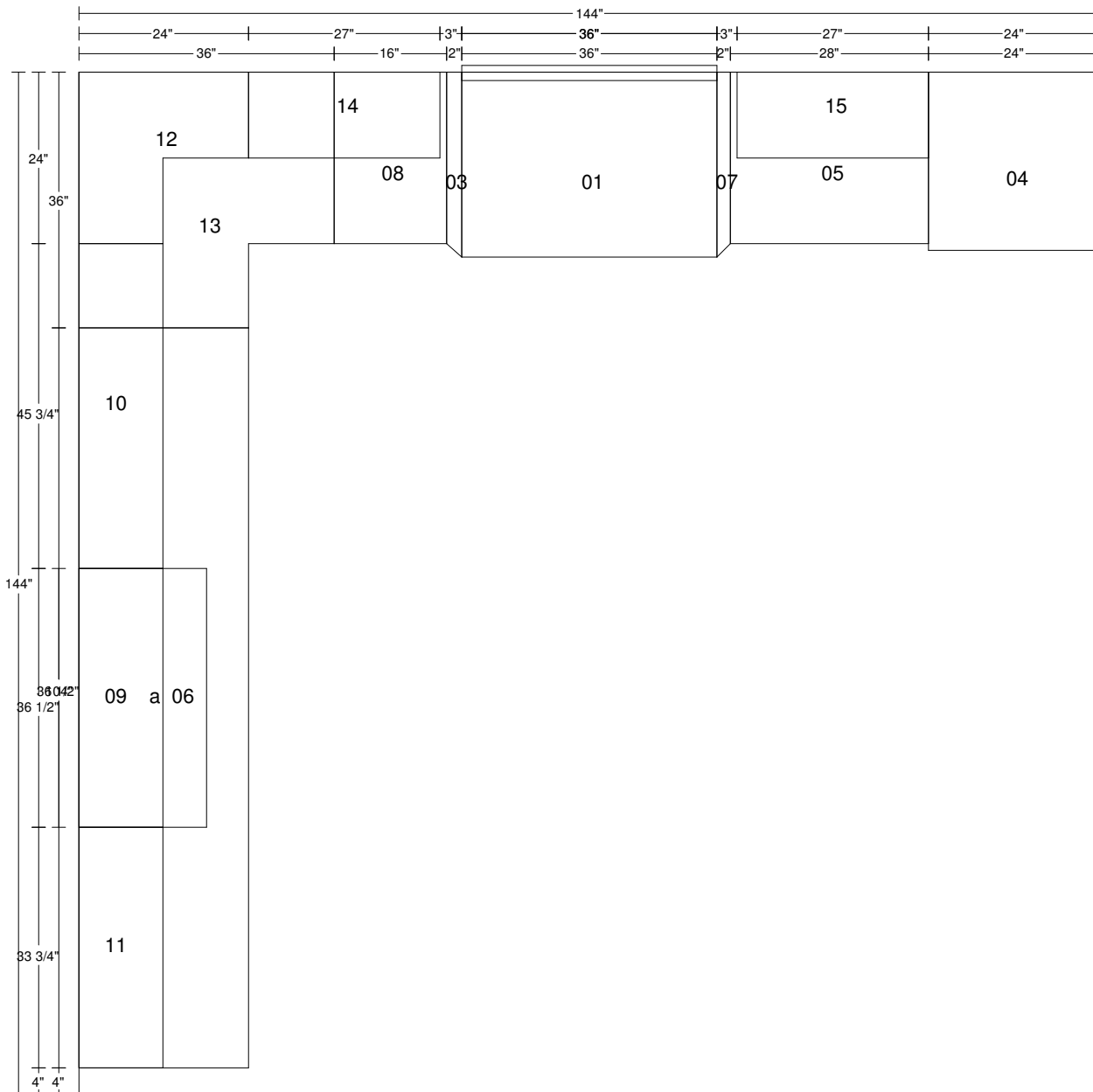


Floor Plan

Room: room1

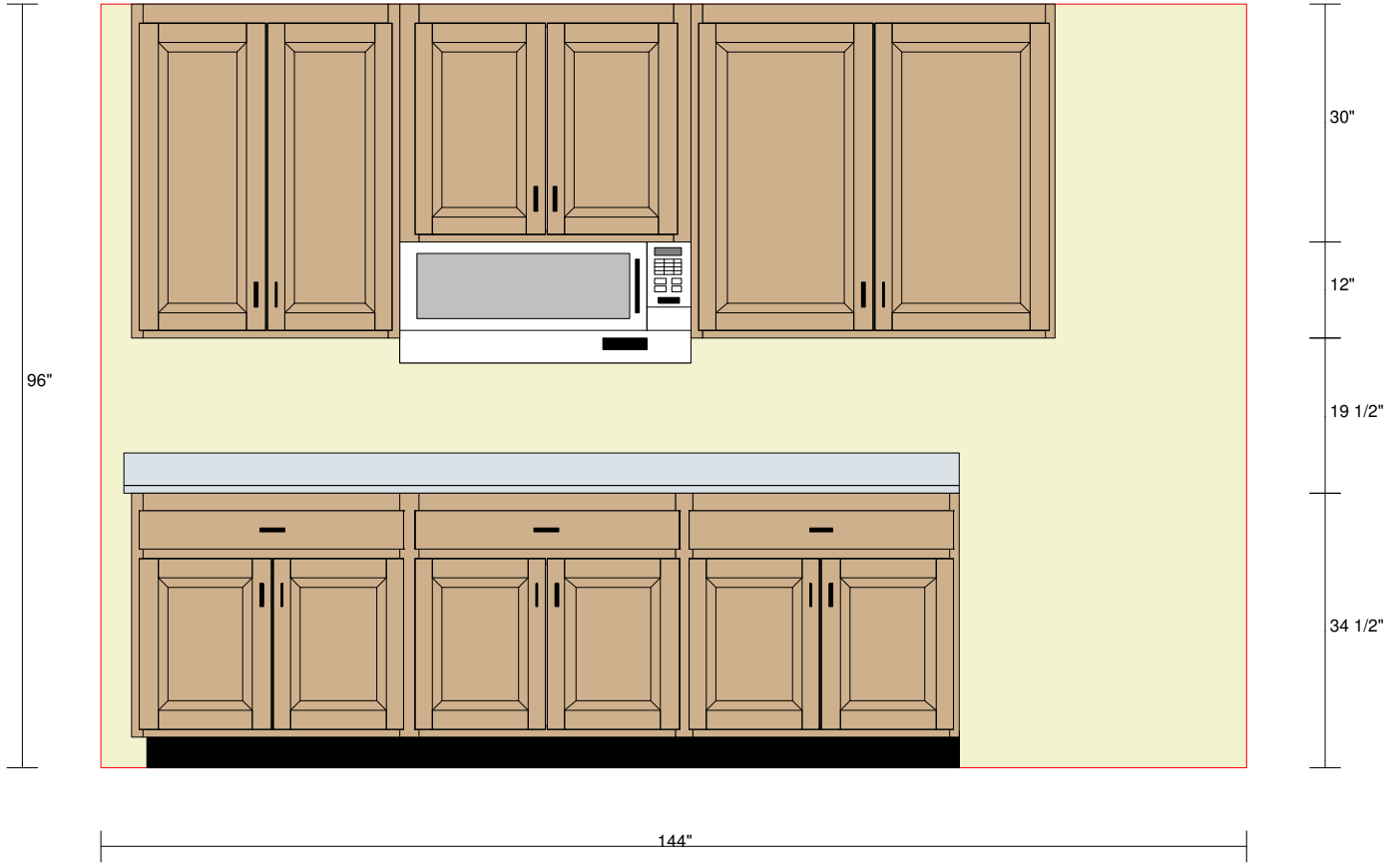


- a = wall2 MW/Hood Combo 36 1/2" X 15" X 18"
- 06 = wall2 cab 06 [Base] 104" X 34 1/2" X 24"
- 09 = wall2 cab 09 [Hood Cab] 36 1/2" X 30" X 12"
- 10 = wall2 cab 10 [Upper] 45 3/4" X 42" X 12"
- 11 = wall2 cab 11 [Upper] 33 3/4" X 42" X 12"
- 01 = wall1 cab 01 [Sink Base] 36" X 34 1/2" X 26"
- 03 = wall1 cab 03 [Clipped L End Base] 2" X 34 1/2" X 26"
- 04 = wall1 cab 04 [Full Ht Pantry] 24" X 96" X 25"
- 05 = wall1 cab 05 [Base] 28" X 34 1/2" X 24"
- 07 = wall1 cab 07 [Clipped R End Base] 2" X 34 1/2" X 26"
- 08 = wall1 cab 08 [Base] 16" X 34 1/2" X 24"
- 12 = wall1 cab 12 [Corner Upper] 24" X 42" X 24"

- 13 = wall1 cab 13 [Corner Base] 36" X 34 1/2" X 36"
- 14 = wall1 cab 14 [Upper] 27" X 42" X 12"
- 15 = wall1 cab 15 [Upper] 27" X 42" X 12"

WALL ELEVATION

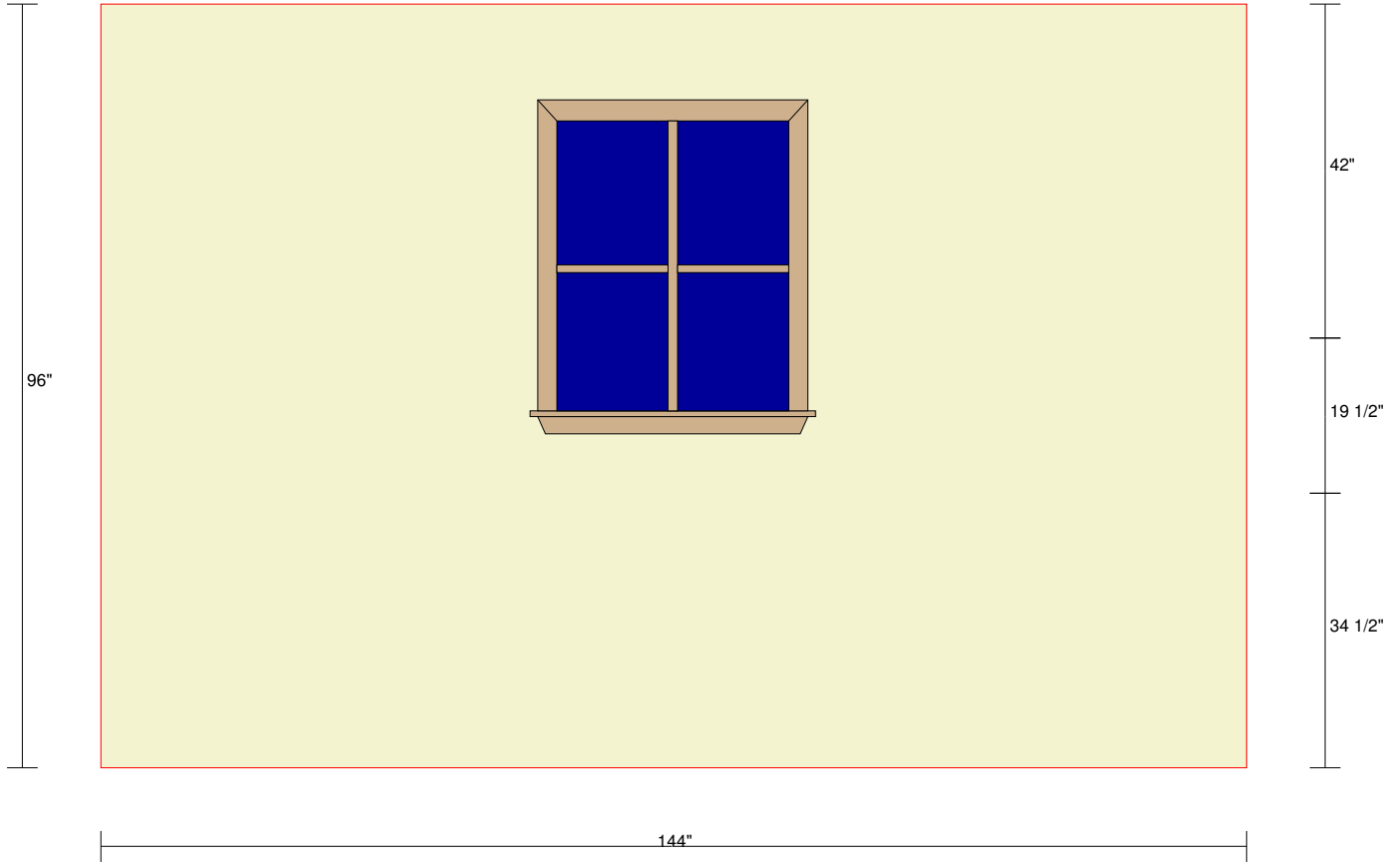
room1: wall2: side B



cab	unit	width	height	depth	L. scribe	R. scribe
MW/Hood Combo	MW/Hood Combo	36 1/2"	15"	18"		
cab 06	Base	104"	34 1/2"	24"	0"	1/4"
cab 09	Hood Cab	36 1/2"	30"	12"	1/4"	1/4"
cab 10	Upper	45 3/4"	42"	12"	0"	1/4"
cab 11	Upper	33 3/4"	42"	12"	0"	0"

WALL ELEVATION

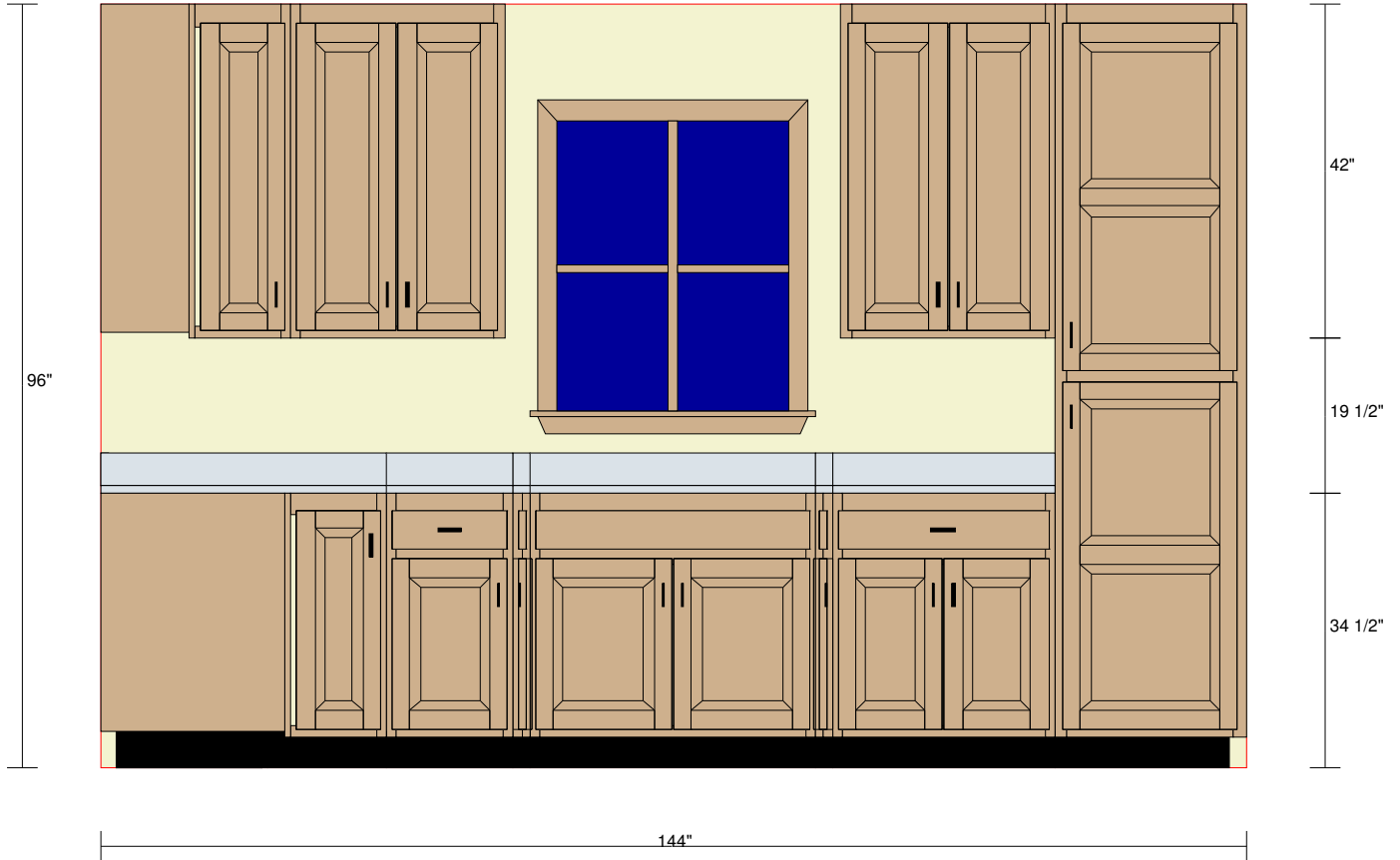
room1: wall1: side A



cab	unit	width	height	depth	L. scribe	R. scribe
Window	Window	36"	42"			

WALL ELEVATION

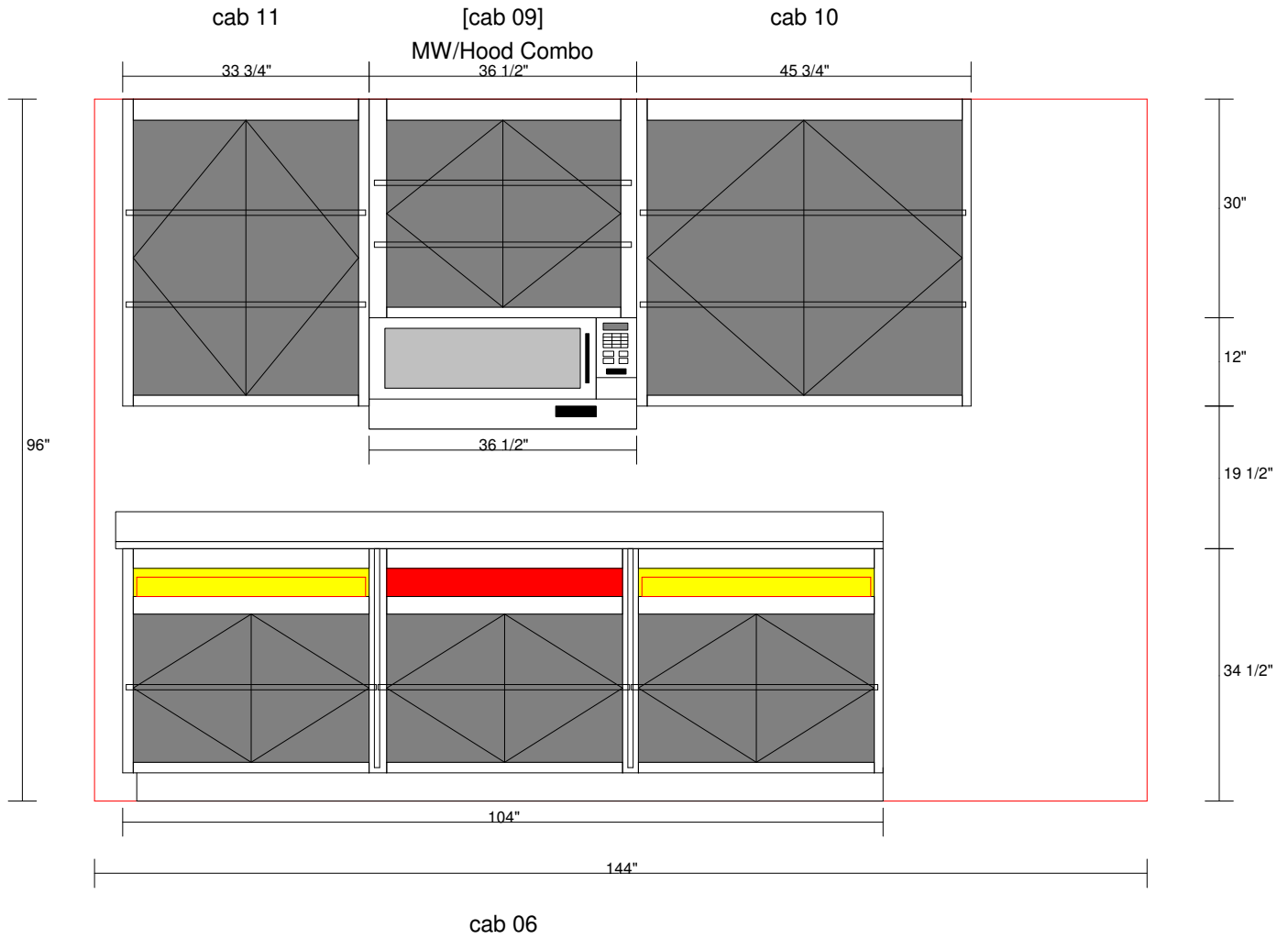
room1: wall1: side B



cab	unit	width	height	depth	L. scribe	R. scribe
Window	Window	36"	42"			
cab 01	Sink Base	36"	34 1/2"	26"	1/4"	1/4"
cab 03	Clipped L End Base	2"	34 1/2"	26"	0"	1/4"
cab 04	Full Ht Pantry	24"	96"	25"	0"	0"
cab 05	Base	28"	34 1/2"	24"	1/4"	1/4"
cab 07	Clipped R End Base	2"	34 1/2"	26"	1/4"	0"
cab 08	Base	16"	34 1/2"	24"	1/4"	1/4"
cab 12	Corner Upper	24"	42"	24"	1/4"	1/4"
cab 13	Corner Base	36"	34 1/2"	36"	1/4"	1/4"
cab 14	Upper	27"	42"	12"	1/4"	0"
cab 15	Upper	27"	42"	12"	0"	1/4"

WALL ELEVATION

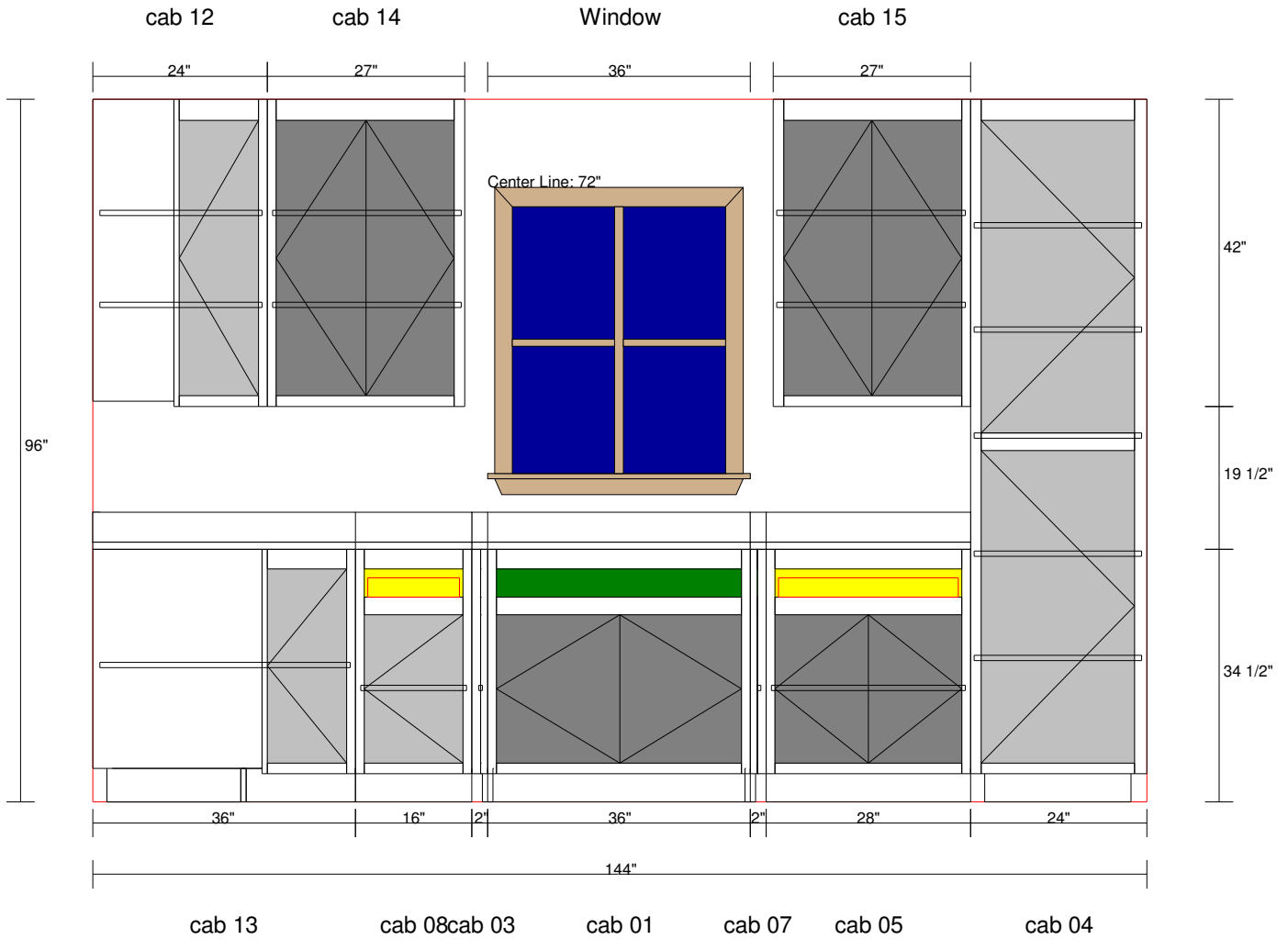
room1: wall2: side B



cab	unit	width	height	depth	L. scribe	R. scribe
MW/Hood Combo	MW/Hood Combo	36 1/2"	15"	18"		
cab 06	Base	104"	34 1/2"	24"	0"	1/4"
cab 09	Hood Cab	36 1/2"	30"	12"	1/4"	1/4"
cab 10	Upper	45 3/4"	42"	12"	0"	1/4"
cab 11	Upper	33 3/4"	42"	12"	0"	0"

WALL ELEVATION

room1: wall1: side B



cab	unit	width	height	depth	L. scribe	R. scribe
Window	Window	36"	42"			
cab 01	Sink Base	36"	34 1/2"	26"	1/4"	1/4"
cab 03	Clipped L End Base	2"	34 1/2"	26"	0"	1/4"
cab 04	Full Ht Pantry	24"	96"	25"	0"	0"
cab 05	Base	28"	34 1/2"	24"	1/4"	1/4"
cab 07	Clipped R End Base	2"	34 1/2"	26"	1/4"	0"
cab 08	Base	16"	34 1/2"	24"	1/4"	1/4"
cab 12	Corner Upper	24"	42"	24"	1/4"	1/4"
cab 13	Corner Base	36"	34 1/2"	36"	1/4"	1/4"
cab 14	Upper	27"	42"	12"	1/4"	0"
cab 15	Upper	27"	42"	12"	0"	1/4"

Custom Casework Company
 555 Niles Ave
 Chicago, IL 12345
 555-555-5555

PARTS LIST for Face Frames

Material: 3/4" Red Oak

Qty	Width	Length	Part Name	Cabinet (pieces per cabinet)	
<input type="checkbox"/>	1	3"	43"	Top Rail	cab 10
<input type="checkbox"/>	1	3"	32"	Top Rail	cab 09
<input type="checkbox"/>	1	3"	30 3/4"	Top Rail	cab 11
<input type="checkbox"/>	2	3"	24 1/4"	Top Rail	cab 14 cab 15
<input type="checkbox"/>	1	3"	21"	Top Rail	cab 04
<input type="checkbox"/>	1	3"	11 1/2"	Corner Top Rail	cab 12
<input type="checkbox"/>	1	3"	10 3/4"	Top Rail	cab 12
<input type="checkbox"/>	1	2 1/2"	33 1/2"	Top Rail	cab 01
<input type="checkbox"/>	3	2 1/2"	32 1/4"	Top Rail	cab 06 ⁽³⁾
<input type="checkbox"/>	1	2 1/2"	25 1/2"	Top Rail	cab 05
<input type="checkbox"/>	1	2 1/2"	13 1/2"	Top Rail	cab 08
<input type="checkbox"/>	1	2 1/2"	11 1/2"	Corner Top Rail	cab 13
<input type="checkbox"/>	1	2 1/2"	10 3/4"	Top Rail	cab 13
<input type="checkbox"/>	2	2 1/2"	5/64"	Top Rail	cab 03 cab 07
<input type="checkbox"/>	1	2 1/4"	33 1/2"	Center Rail	cab 01
<input type="checkbox"/>	3	2 1/4"	32 1/4"	Center Rail	cab 06 ⁽³⁾
<input type="checkbox"/>	2	2 1/4"	30 1/2"	Center Stile	cab 06 ⁽²⁾
<input type="checkbox"/>	1	2 1/4"	30"	Right Stile	cab 09
<input type="checkbox"/>	1	2 1/4"	30"	Left Stile	cab 09
<input type="checkbox"/>	1	2 1/4"	25 1/2"	Center Rail	cab 05
<input type="checkbox"/>	1	2 1/4"	21"	Center Rail	cab 04
<input type="checkbox"/>	1	2 1/4"	13 1/2"	Center Rail	cab 08
<input type="checkbox"/>	2	2 1/4"	5/64"	Center Rail	cab 03 cab 07
<input type="checkbox"/>	1	1 1/2"	92"	Right Stile	cab 04
<input type="checkbox"/>	1	1 1/2"	92"	Left Stile	cab 04
<input type="checkbox"/>	1	1 1/2"	43"	Bottom Rail	cab 10
<input type="checkbox"/>	3	1 1/2"	42"	Left Stile	cab 10 cab 11 cab 15
<input type="checkbox"/>	2	1 1/2"	42"	Right Stile	cab 11 cab 14
<input type="checkbox"/>	1	1 1/2"	33 1/2"	Bottom Rail	cab 01
<input type="checkbox"/>	3	1 1/2"	32 1/4"	Bottom Rail	cab 06 ⁽³⁾
<input type="checkbox"/>	1	1 1/2"	32"	Bottom Rail	cab 09
<input type="checkbox"/>	1	1 1/2"	30 3/4"	Bottom Rail	cab 11
<input type="checkbox"/>	1	1 1/2"	30 1/2"	Right Stile	cab 07
<input type="checkbox"/>	2	1 1/2"	30 1/2"	Left Stile	cab 03 cab 06
<input type="checkbox"/>	1	1 1/2"	25 1/2"	Bottom Rail	cab 05
<input type="checkbox"/>	2	1 1/2"	24 1/4"	Bottom Rail	cab 14 cab 15
<input type="checkbox"/>	1	1 1/2"	21"	Bottom Rail	cab 04
<input type="checkbox"/>	1	1 1/2"	13 1/2"	Bottom Rail	cab 08
<input type="checkbox"/>	2	1 1/2"	11 1/2"	Corner Bottom Rail	cab 12 cab 13
<input type="checkbox"/>	2	1 1/2"	10 3/4"	Bottom Rail	cab 12 cab 13
<input type="checkbox"/>	2	1 1/2"	5/64"	Bottom Rail	cab 03 cab 07
<input type="checkbox"/>	1	1 1/4"	42"	Left Stile	cab 14
<input type="checkbox"/>	1	1 1/4"	42"	Corner Left Stile	cab 12

Custom Casework Company
 555 Niles Ave
 Chicago, IL 12345
 555-555-5555

PARTS LIST for Face Frames

Material: 3/4" Red Oak

Qty	Width	Length	Part Name	Cabinet(pieces per cabinet)
<input type="checkbox"/> 3	1 1/4"	42"	Right Stile	cab 10 cab 12 cab 15
<input type="checkbox"/> 1	1 1/4"	30 1/2"	Corner Left Stile	cab 13
<input type="checkbox"/> 6	1 1/4"	30 1/2"	Right Stile	cab 01 cab 03 cab 05 cab 06 cab 08 cab 13
<input type="checkbox"/> 4	1 1/4"	30 1/2"	Left Stile	cab 01 cab 05 cab 07 cab 08

Total length of 3" width is 197 1/2"

Total length of 2 1/2" width is 191 21/32"

Total length of 2 1/4" width is 311 13/32"

Total length of 1 1/2" width is 874 21/32"

Total length of 1 1/4" width is 545 1/2"

Total square footage is 26.15

Total Qty is 75

PARTS LIST for Cabinet Box Parts

Material: 3/4" Red Oak Plywood

Qty	Width	Length	Part Name	Cabinet(pieces per cabinet)
<input type="checkbox"/> 1	24 1/4"	92"	Right Panel	cab 04
<input type="checkbox"/> 1	24 1/4"	92"	Left Panel	cab 04
<input type="checkbox"/> 1	24"	30 1/2"	Right Panel	cab 07
<input type="checkbox"/> 1	24"	30 1/2"	Left Panel	cab 03
<input type="checkbox"/> 1	23 1/4"	30 1/2"	Left Panel	cab 06
<input type="checkbox"/> 3	11 1/4"	42"	Left Panel	cab 10 cab 11 cab 15
<input type="checkbox"/> 2	11 1/4"	42"	Right Panel	cab 11 cab 14

Total square footage is 62.48

Total Qty is 10

PARTS LIST for Cabinet Box Parts

Material: 3/4" Melamine (white 2-sided)

Qty	Width	Length	Part Name	Cabinet(pieces per cabinet)
<input type="checkbox"/> 1	34 1/4"	34 1/4"	Fixed Shelf	cab 13
<input type="checkbox"/> 2	24 1/4"	3/4"	Fixed Shelf	cab 03 cab 07
<input type="checkbox"/> 5	23 1/4"	23"	Fixed Shelf	cab 04(5)
<input type="checkbox"/> 2	22 1/4"	34 1/4"	Fixed Shelf	cab 06(2)
<input type="checkbox"/> 1	22 1/4"	33 3/4"	Fixed Shelf	cab 06
<input type="checkbox"/> 2	22 1/4"	29 3/4"	Partition	cab 06(2)
<input type="checkbox"/> 1	22 1/4"	26 1/2"	Fixed Shelf	cab 05
<input type="checkbox"/> 2	22 1/4"	22 1/4"	Fixed Shelf	cab 12(2)
<input type="checkbox"/> 1	22 1/4"	14 1/2"	Fixed Shelf	cab 08

Custom Casework Company
 555 Niles Ave
 Chicago, IL 12345
 555-555-5555

PARTS LIST for Cabinet Box Parts

Material: 3/4" Melamine (white 2-sided)

Qty	Width	Length	Part Name	Cabinet(pieces per cabinet)
<input type="checkbox"/> 2	10 1/4"	44 1/2"	Fixed Shelf	cab 10(2)
<input type="checkbox"/> 2	10 1/4"	35"	Fixed Shelf	cab 09(2)
<input type="checkbox"/> 2	10 1/4"	32 3/4"	Fixed Shelf	cab 11(2)
<input type="checkbox"/> 4	10 1/4"	25 3/4"	Fixed Shelf	cab 14(2) cab 15(2)

Total square footage is 88.48

Total Qty is 27

PARTS LIST for Cabinet Box Parts

Material: 1/4" Melamine (white 1-sided)

Qty	Width	Length	Part Name	Cabinet(pieces per cabinet)
<input type="checkbox"/> 1	44 1/2"	40 1/4"	Back	cab 10
<input type="checkbox"/> 1	35"	28 1/4"	Back	cab 09
<input type="checkbox"/> 1	34 1/2"	29 1/4"	Corner Back	cab 13
<input type="checkbox"/> 2	34 1/2"	29 1/4"	Back	cab 01 cab 06
<input type="checkbox"/> 1	34 3/8"	29 1/4"	Back	cab 06
<input type="checkbox"/> 1	34 1/4"	29 1/4"	Back	cab 13
<input type="checkbox"/> 1	33 7/8"	29 1/4"	Back	cab 06
<input type="checkbox"/> 1	32 3/4"	40 1/4"	Back	cab 11
<input type="checkbox"/> 1	26 1/2"	29 1/4"	Back	cab 05
<input type="checkbox"/> 2	25 3/4"	40 1/4"	Back	cab 14 cab 15
<input type="checkbox"/> 1	23"	90 1/4"	Back	cab 04
<input type="checkbox"/> 1	22 1/2"	40 1/4"	Corner Back	cab 12
<input type="checkbox"/> 1	22 1/4"	40 1/4"	Back	cab 12
<input type="checkbox"/> 1	14 1/2"	29 1/4"	Back	cab 08
<input type="checkbox"/> 2	3/4"	29 1/4"	Back	cab 03 cab 07

Total square footage is 120.25

Total Qty is 18

PARTS LIST for Cabinet Box Parts

Material: 3/4" Melamine (white 1-sided)

Qty	Width	Length	Part Name	Cabinet(pieces per cabinet)
<input type="checkbox"/> 1	35 1/4"	35 1/4"	Bottom	cab 13
<input type="checkbox"/> 1	25 1/4"	34 1/2"	Bottom	cab 01
<input type="checkbox"/> 1	25 1/4"	29 3/4"	Right Panel	cab 01
<input type="checkbox"/> 1	25 1/4"	29 3/4"	Left Panel	cab 01
<input type="checkbox"/> 1	24 11/16"	29 3/4"	Left Panel	cab 07
<input type="checkbox"/> 1	24 11/16"	29 3/4"	Right Panel	cab 03

Custom Casework Company
 555 Niles Ave
 Chicago, IL 12345
 555-555-5555

PARTS LIST for Cabinet Box Parts

Material: 3/4" Melamine (white 1-sided)

Qty	Width	Length	Part Name	Cabinet (pieces per cabinet)
<input type="checkbox"/> 2	24 3/8"	3/4"	Bottom	cab 03 cab 07
<input type="checkbox"/> 1	24 1/4"	23"	Top	cab 04
<input type="checkbox"/> 1	24 1/4"	23"	Bottom	cab 04
<input type="checkbox"/> 1	23 1/4"	34"	Bottom	cab 06
<input type="checkbox"/> 1	23 1/4"	33 3/4"	Bottom	cab 06
<input type="checkbox"/> 1	23 1/4"	33 1/2"	Bottom	cab 06
<input type="checkbox"/> 1	23 1/4"	29 3/4"	Corner Left Panel	cab 13
<input type="checkbox"/> 2	23 1/4"	29 3/4"	Left Panel	cab 05 cab 08
<input type="checkbox"/> 4	23 1/4"	29 3/4"	Right Panel	cab 05 cab 06 cab 08 cab 13
<input type="checkbox"/> 1	23 1/4"	26 1/2"	Bottom	cab 05
<input type="checkbox"/> 1	23 1/4"	23 1/4"	Top	cab 12
<input type="checkbox"/> 1	23 1/4"	23 1/4"	Bottom	cab 12
<input type="checkbox"/> 1	23 1/4"	14 1/2"	Bottom	cab 08
<input type="checkbox"/> 1	11 1/4"	44 1/2"	Top	cab 10
<input type="checkbox"/> 1	11 1/4"	44 1/2"	Bottom	cab 10
<input type="checkbox"/> 1	11 1/4"	41 1/4"	Left Panel	cab 14
<input type="checkbox"/> 3	11 1/4"	41 1/4"	Right Panel	cab 10 cab 12 cab 15
<input type="checkbox"/> 1	11 1/4"	41 1/4"	Corner Left Panel	cab 12
<input type="checkbox"/> 1	11 1/4"	35"	Top	cab 09
<input type="checkbox"/> 1	11 1/4"	35"	Bottom	cab 09
<input type="checkbox"/> 1	11 1/4"	32 3/4"	Bottom	cab 11
<input type="checkbox"/> 1	11 1/4"	32 3/4"	Top	cab 11
<input type="checkbox"/> 1	11 1/4"	29 1/4"	Right Panel	cab 09
<input type="checkbox"/> 1	11 1/4"	29 1/4"	Left Panel	cab 09
<input type="checkbox"/> 2	11 1/4"	25 3/4"	Bottom	cab 14 cab 15
<input type="checkbox"/> 2	11 1/4"	25 3/4"	Top	cab 14 cab 15

Total square footage is 153.68

Total Qty is 41

PARTS LIST for Cabinet Box Parts

Material: 3/4" Particle Board

Qty	Width	Length	Part Name	Cabinet (pieces per cabinet)
<input type="checkbox"/> 1	4 3/4"	102"	Back Toe Kick	cab 06
<input type="checkbox"/> 1	4 3/4"	102"	Front Toe Kick	cab 06
<input type="checkbox"/> 1	4 3/4"	36"	Corner Back Toe Kick	cab 13
<input type="checkbox"/> 1	4 3/4"	36"	Back Toe Kick	cab 01
<input type="checkbox"/> 1	4 3/4"	36"	Front Toe Kick	cab 01
<input type="checkbox"/> 1	4 3/4"	33 1/4"	Back Toe Kick	cab 13
<input type="checkbox"/> 1	4 3/4"	28"	Front Toe Kick	cab 05
<input type="checkbox"/> 1	4 3/4"	28"	Back Toe Kick	cab 05

Custom Casework Company
 555 Niles Ave
 Chicago, IL 12345
 555-555-5555

PARTS LIST for Cabinet Box Parts

Material: 3/4" Particle Board

Qty	Width	Length	Part Name	Cabinet _(pieces per cabinet)
<input type="checkbox"/> 6	4 3/4"	20 1/4"	Sleeper	cab 01 ₍₄₎ cab 03 cab 07
<input type="checkbox"/> 1	4 3/4"	20"	Back Toe Kick	cab 04
<input type="checkbox"/> 1	4 3/4"	20"	Front Toe Kick	cab 04
<input type="checkbox"/> 3	4 3/4"	19 1/4"	Sleeper	cab 04 ₍₃₎
<input type="checkbox"/> 3	4 3/4"	18 1/4"	Corner Sleeper	cab 13 ₍₃₎
<input type="checkbox"/> 21	4 3/4"	18 1/4"	Sleeper	cab 03 cab 05 ₍₄₎ cab 06 ₍₉₎ cab 07 cab 08 ₍₃₎ cab 13 ₍₃₎
<input type="checkbox"/> 1	4 3/4"	16"	Back Toe Kick	cab 08
<input type="checkbox"/> 1	4 3/4"	16"	Front Toe Kick	cab 08
<input type="checkbox"/> 1	4 3/4"	15 3/4"	Corner Toe Kick	cab 13
<input type="checkbox"/> 1	4 3/4"	15"	Front Toe Kick	cab 13
<input type="checkbox"/> 2	4 3/4"	2"	Front Toe Kick	cab 03 cab 07
<input type="checkbox"/> 2	4"	44"	Nailer	cab 10 ₍₂₎
<input type="checkbox"/> 2	4"	34 1/2"	Nailer	cab 09 ₍₂₎
<input type="checkbox"/> 2	4"	34"	Corner Nailer	cab 13 ₍₂₎
<input type="checkbox"/> 2	4"	34"	Stretcher	cab 01 ₍₂₎
<input type="checkbox"/> 2	4"	34"	Nailer	cab 01 ₍₂₎
<input type="checkbox"/> 4	4"	33 3/4"	Stretcher	cab 06 ₍₄₎
<input type="checkbox"/> 4	4"	33 3/4"	Nailer	cab 06 ₍₄₎
<input type="checkbox"/> 2	4"	33 1/4"	Stretcher	cab 06 ₍₂₎
<input type="checkbox"/> 4	4"	33 1/4"	Nailer	cab 06 ₍₂₎ cab 13 ₍₂₎
<input type="checkbox"/> 1	4"	33 1/4"	Corner Stretcher	cab 13
<input type="checkbox"/> 2	4"	32 1/4"	Nailer	cab 11 ₍₂₎
<input type="checkbox"/> 1	4"	29 1/4"	Corner Stretcher	cab 13
<input type="checkbox"/> 1	4"	29 1/4"	Stretcher	cab 13
<input type="checkbox"/> 2	4"	26"	Nailer	cab 05 ₍₂₎
<input type="checkbox"/> 2	4"	26"	Stretcher	cab 05 ₍₂₎
<input type="checkbox"/> 4	4"	25 1/4"	Nailer	cab 14 ₍₂₎ cab 15 ₍₂₎
<input type="checkbox"/> 3	4"	22 1/2"	Nailer	cab 04 ₍₃₎
<input type="checkbox"/> 2	4"	22"	Corner Nailer	cab 12 ₍₂₎
<input type="checkbox"/> 2	4"	21 1/4"	Nailer	cab 12 ₍₂₎
<input type="checkbox"/> 2	4"	14"	Stretcher	cab 08 ₍₂₎
<input type="checkbox"/> 2	4"	14"	Nailer	cab 08 ₍₂₎
<input type="checkbox"/> 1	4"	11 3/4"	Stretcher	cab 13
<input type="checkbox"/> 2	4"	45/64"	Angled Stretcher	cab 03 cab 07
<input type="checkbox"/> 2	4"	1/4"	Stretcher	cab 03 cab 07
<input type="checkbox"/> 4	4"	1/4"	Nailer	cab 03 ₍₂₎ cab 07 ₍₂₎

Total square footage is 76.46

Total Qty is 106

Custom Casework Company
 555 Niles Ave
 Chicago, IL 12345
 555-555-5555

DOOR SIZES

3/4"square frame (Red Oak) with raised panel(s) (Red Oak)

Qty	Width	Height	Part Name	Cabinet(pieces per cabinet)
<input type="checkbox"/> 2	22"	43 5/8"	door	cab 04(2)
<input type="checkbox"/> 2	21 7/8"	38 1/2"	door	cab 10(2)
<input type="checkbox"/> 2	17 1/8"	21 1/4"	door	cab 01(2)
<input type="checkbox"/> 6	16 1/2"	21 1/4"	door	cab 06(6)
<input type="checkbox"/> 2	16 3/8"	26 1/2"	door	cab 09(2)
<input type="checkbox"/> 2	15 3/4"	38 1/2"	door	cab 11(2)
<input type="checkbox"/> 1	14 1/2"	21 1/4"	door	cab 08
<input type="checkbox"/> 2	13 1/8"	21 1/4"	door	cab 05(2)
<input type="checkbox"/> 4	12 1/2"	38 1/2"	door	cab 15(2) cab 14(2)
<input type="checkbox"/> 2	10 1/2"	38 1/2"	door	cab 12(2)
<input type="checkbox"/> 2	10 1/2"	27 1/2"	door	cab 13(2)
<input type="checkbox"/> 2	1 5/64"	21 1/4"	door	cab 07 cab 03

Total square footage is 88.46

Total Qty is 29

DRAWER-FRONT SIZES

3/4"slab (horizontal grain)(Red Oak) with no edging

Qty	Width	Height	Part Name	Cabinet(pieces per cabinet)
<input type="checkbox"/> 1	34 1/2"	5"	drawer-front	cab 01
<input type="checkbox"/> 3	33 1/4"	5"	drawer-front	cab 06(3)
<input type="checkbox"/> 1	26 1/2"	5"	drawer-front	cab 05
<input type="checkbox"/> 1	14 1/2"	5"	drawer-front	cab 08
<input type="checkbox"/> 2	1 5/64"	5"	drawer-front	cab 07 cab 03

Total square footage is 6.16

Total Qty is 8

DRAWER BOX SIZES

Box Depth: 20"

Qty	Width	Height	Part Name	Cabinet(pieces per cabinet)
<input type="checkbox"/> 2	31 1/4"	2 3/4"	drawer box	cab 06(2)
<input type="checkbox"/> 1	24 1/2"	2 3/4"	drawer box	cab 05
<input type="checkbox"/> 1	12 1/2"	2 3/4"	drawer box	cab 08

Custom Casework Company
 555 Niles Ave
 Chicago, IL 12345
 555-555-5555

Total square footage is 1.90

Total Qty is 4

PARTS LIST for DOORS (Panels)

Material: 1/2" Red Oak

Qty	Width	Length	Part Name	Cabinet (pieces per cabinet)
<input type="checkbox"/> 4	18 1/4"	19 3/16"	Raised	cab 04 ⁽⁴⁾
<input type="checkbox"/> 2	18 1/8"	34 3/4"	Raised	cab 10 ⁽²⁾
<input type="checkbox"/> 2	13 3/8"	17 1/2"	Raised	cab 01 ⁽²⁾
<input type="checkbox"/> 6	12 3/4"	17 1/2"	Raised	cab 06 ⁽⁶⁾
<input type="checkbox"/> 2	12 5/8"	22 3/4"	Raised	cab 09 ⁽²⁾
<input type="checkbox"/> 2	12"	34 3/4"	Raised	cab 11 ⁽²⁾
<input type="checkbox"/> 1	10 3/4"	17 1/2"	Raised	cab 08
<input type="checkbox"/> 2	9 3/8"	17 1/2"	Raised	cab 05 ⁽²⁾
<input type="checkbox"/> 4	8 3/4"	34 3/4"	Raised	cab 14 ⁽²⁾ cab 15 ⁽²⁾
<input type="checkbox"/> 2	6 3/4"	34 3/4"	Raised	cab 12 ⁽²⁾
<input type="checkbox"/> 2	6 3/4"	23 3/4"	Raised	cab 13 ⁽²⁾
<input type="checkbox"/> 2	-2 43/64"	17 1/2"	Raised	cab 03 cab 07

Total square footage is 57.67

Total Qty is 31

PARTS LIST for DOORS (Stiles)

Material: 3/4" Red Oak

Qty	Width	Length	Part Name	Cabinet (pieces per cabinet)
<input type="checkbox"/> 2	2 1/4"	43 5/8"	Left	cab 04 ⁽²⁾
<input type="checkbox"/> 2	2 1/4"	43 5/8"	Right	cab 04 ⁽²⁾
<input type="checkbox"/> 10	2 1/4"	38 1/2"	Left	cab 10 ⁽²⁾ cab 11 ⁽²⁾ cab 12 ⁽²⁾ cab 14 ⁽²⁾ cab 15 ⁽²⁾
<input type="checkbox"/> 10	2 1/4"	38 1/2"	Right	cab 10 ⁽²⁾ cab 11 ⁽²⁾ cab 12 ⁽²⁾ cab 14 ⁽²⁾ cab 15 ⁽²⁾
<input type="checkbox"/> 2	2 1/4"	27 1/2"	Left	cab 13 ⁽²⁾
<input type="checkbox"/> 2	2 1/4"	27 1/2"	Right	cab 13 ⁽²⁾
<input type="checkbox"/> 2	2 1/4"	26 1/2"	Left	cab 09 ⁽²⁾
<input type="checkbox"/> 2	2 1/4"	26 1/2"	Right	cab 09 ⁽²⁾
<input type="checkbox"/> 13	2 1/4"	21 1/4"	Left	cab 01 ⁽²⁾ cab 03 cab 05 ⁽²⁾ cab 06 ⁽⁶⁾ cab 07 cab 08
<input type="checkbox"/> 13	2 1/4"	21 1/4"	Right	cab 01 ⁽²⁾ cab 03 cab 05 ⁽²⁾ cab 06 ⁽⁶⁾ cab 07 cab 08

Total length of 2 1/4" width is 1713"

Total Qty is 58

PARTS LIST for DOORS (Rails)

Material: 3/4" Red Oak

Qty	Width	Length	Part Name	Cabinet(pieces per cabinet)
<input type="checkbox"/> 2	2 1/4"	18 1/2"	Top	cab 04(2)
<input type="checkbox"/> 2	2 1/4"	18 1/2"	Bottom	cab 04(2)
<input type="checkbox"/> 2	2 1/4"	18 1/2"	Center	cab 04(2)
<input type="checkbox"/> 2	2 1/4"	18 3/8"	Top	cab 10(2)
<input type="checkbox"/> 2	2 1/4"	18 3/8"	Bottom	cab 10(2)
<input type="checkbox"/> 2	2 1/4"	13 5/8"	Top	cab 01(2)
<input type="checkbox"/> 2	2 1/4"	13 5/8"	Bottom	cab 01(2)
<input type="checkbox"/> 6	2 1/4"	13"	Top	cab 06(6)
<input type="checkbox"/> 6	2 1/4"	13"	Bottom	cab 06(6)
<input type="checkbox"/> 2	2 1/4"	12 7/8"	Top	cab 09(2)
<input type="checkbox"/> 2	2 1/4"	12 7/8"	Bottom	cab 09(2)
<input type="checkbox"/> 2	2 1/4"	12 1/4"	Top	cab 11(2)
<input type="checkbox"/> 2	2 1/4"	12 1/4"	Bottom	cab 11(2)
<input type="checkbox"/> 1	2 1/4"	11"	Top	cab 08
<input type="checkbox"/> 1	2 1/4"	11"	Bottom	cab 08
<input type="checkbox"/> 2	2 1/4"	9 5/8"	Top	cab 05(2)
<input type="checkbox"/> 2	2 1/4"	9 5/8"	Bottom	cab 05(2)
<input type="checkbox"/> 4	2 1/4"	9"	Top	cab 14(2) cab 15(2)
<input type="checkbox"/> 4	2 1/4"	9"	Bottom	cab 14(2) cab 15(2)
<input type="checkbox"/> 4	2 1/4"	7"	Top	cab 12(2) cab 13(2)
<input type="checkbox"/> 4	2 1/4"	7"	Bottom	cab 12(2) cab 13(2)
<input type="checkbox"/> 2	2 1/4"	4 27/64"	Top	cab 03 cab 07
<input type="checkbox"/> 2	2 1/4"	4 27/64"	Bottom	cab 03 cab 07

Total length of 2 1/4" width is 701 11/16"

Total Qty is 60

PARTS LIST for DRAWER-FRONTs (Slabs)

Material: 3/4" Red Oak

Qty	Width	Length	Part Name	Cabinet(pieces per cabinet)
<input type="checkbox"/> 1	5"	34 1/2"	Horizontal Grain	cab 01
<input type="checkbox"/> 3	5"	33 1/4"	Horizontal Grain	cab 06(3)
<input type="checkbox"/> 1	5"	26 1/2"	Horizontal Grain	cab 05
<input type="checkbox"/> 1	5"	14 1/2"	Horizontal Grain	cab 08
<input type="checkbox"/> 2	5"	1 5/64"	Horizontal Grain	cab 03 cab 07

Total square footage is 6.16
 Total Qty is 8

PARTS LIST for DRAWERS (Drawer Bottoms)

Material: 1/4" Melamine (white 1-sided)

Qty	Width	Length	Part Name	Cabinet (pieces per cabinet)
<input type="checkbox"/> 2	31 1/4"	20"	Bottoms	cab 06(2)
<input type="checkbox"/> 1	24 1/2"	20"	Bottoms	cab 05
<input type="checkbox"/> 1	12 1/2"	20"	Bottoms	cab 08

Total length of 31 1/4" width is 40"
 Total length of 24 1/2" width is 20"
 Total length of 12 1/2" width is 20"
 Total square footage is 13.82
 Total Qty is 4

PARTS LIST for DRAWERS (Drawer Sides)

Material: 1/2" Baltic Birch

Qty	Width	Length	Part Name	Cabinet (pieces per cabinet)
<input type="checkbox"/> 8	2 1/2"	20"	Sides	cab 05(2) cab 06(4) cab 08(2)

Total length of 2 1/2" width is 160"
 Total square footage is 2.78
 Total Qty is 8

PARTS LIST for DRAWERS (Drawer Fronts & Backs)

Material: 1/2" Baltic Birch

Qty	Width	Length	Part Name	Cabinet (pieces per cabinet)
<input type="checkbox"/> 4	2 1/2"	30 1/4"	Fronts & Backs	cab 06(4)
<input type="checkbox"/> 2	2 1/2"	23 1/2"	Fronts & Backs	cab 05(2)
<input type="checkbox"/> 2	2 1/2"	11 1/2"	Fronts & Backs	cab 08(2)

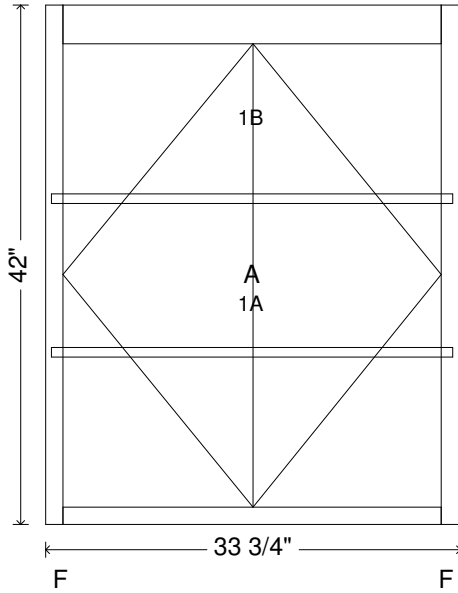
Total length of 2 1/2" width is 191"
 Total square footage is 3.32
 Total Qty is 8

Custom Casework Company
 555 Niles Ave
 Chicago, IL 12345
 555-555-5555

CAB 11 [upper] [Stn File: ff_fac.stn]
 [room1] [wall2]

(W) 33 3/4" x (H) 42" x (D) 12"
 left scribe: 0" right scribe: 0"

(Overall width and height may not match cabinet width and height. Confirm by checking your measurements.)



OPENING	DESCRIPTION	WIDTH	HEIGHT
OPENINGS			
A	Door (pair)	30 3/4"	x 37 1/2"

OPENING	DESCRIPTION	WIDTH	HEIGHT	DADO DEPTH	DADO LOCATION (From bottom of opening)
SHELF OPENINGS					
1A	Open	32 1/4"	x 11 3/4"	1/4"	12 1/8"
1B	Open	32 1/4"	x 12 1/8"	1/4"	24 5/8"

OPENING	QTY	DESCRIPTION
DOORS / DRAWER-FRONTS		
A	2	3/4"square frame (Red Oak) with raised panel(s) (Red Oak) SIZE = 15 3/4"W x 38 1/2"H x 3/4"T

QTY	WIDTH	LENGTH	THICKNESS	PART	MATERIAL
FACE FRAME					
1	3"	x 30 3/4"	x 3/4"	Top Rail	Red Oak
1	1 1/2"	x 42"	x 3/4"	Left Stile	Red Oak
1	1 1/2"	x 42"	x 3/4"	Right Stile	Red Oak
1	1 1/2"	x 30 3/4"	x 3/4"	Bottom Rail	Red Oak

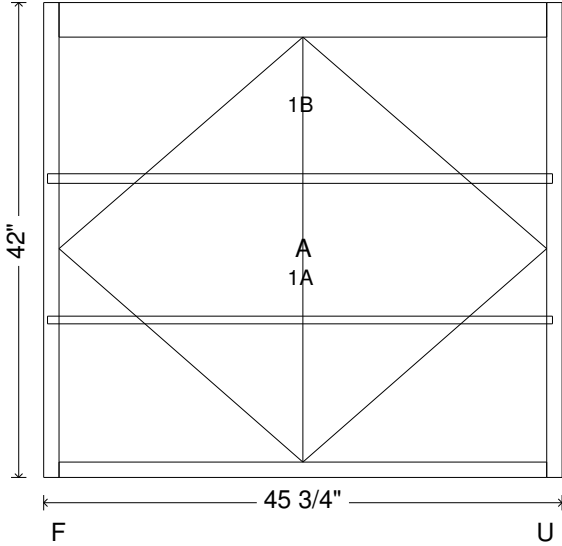
QTY	WIDTH	LENGTH	THICKNESS	PART	MATERIAL
BOX PARTS					
1	32 3/4"	x 40 1/4"	x 1/4"	Back	Melamine (white 1-sided)
1	11 1/4"	x 42"	x 3/4"	Left Panel	Red Oak Plywood
1	11 1/4"	x 42"	x 3/4"	Right Panel	Red Oak Plywood
1	11 1/4"	x 32 3/4"	x 3/4"	Bottom	Melamine (white 1-sided)
1	11 1/4"	x 32 3/4"	x 3/4"	Top	Melamine (white 1-sided)
2	10 1/4"	x 32 3/4"	x 3/4"	Fixed Shelf	Melamine (white 2-sided)
2	4"	x 32 1/4"	x 3/4"	Nailer	Particle Board

Custom Casework Company
 555 Niles Ave
 Chicago, IL 12345
 555-555-5555

CAB 10 [upper] [Stn File: ff_fac.stn]
 [room1] [wall2]

(W) 45 3/4" x (H) 42" x (D) 12"
 left scribe: 0" right scribe: 1/4"

(Overall width and height may not match cabinet width and height. Confirm by checking your measurements.)



OPENING	DESCRIPTION	WIDTH	HEIGHT
OPENINGS			
A	Door (pair)	43"	x 37 1/2"

OPENING	DESCRIPTION	WIDTH	HEIGHT	DADO DEPTH	DADO LOCATION (From bottom of opening)
SHELF OPENINGS					
1A	Open	44"	x 11 3/4"	1/4"	12 1/8"
1B	Open	44"	x 12 1/8"	1/4"	24 5/8"

OPENING	QTY	DESCRIPTION
DOORS / DRAWER-FRONTS		
A	2	3/4"square frame (Red Oak) with raised panel(s) (Red Oak) SIZE = 21 7/8"W x 38 1/2"H x 3/4"T

QTY	WIDTH	LENGTH	THICKNESS	PART	MATERIAL
FACE FRAME					
1	3"	x 43"	x 3/4"	Top Rail	Red Oak
1	1 1/2"	x 43"	x 3/4"	Bottom Rail	Red Oak
1	1 1/2"	x 42"	x 3/4"	Left Stile	Red Oak
1	1 1/4"	x 42"	x 3/4"	Right Stile	Red Oak

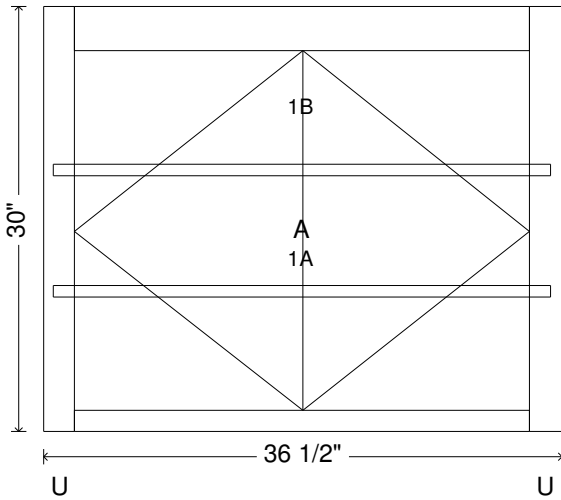
BOX PARTS					
1	44 1/2"	x 40 1/4"	x 1/4"	Back	Melamine (white 1-sided)
1	11 1/4"	x 44 1/2"	x 3/4"	Top	Melamine (white 1-sided)
1	11 1/4"	x 44 1/2"	x 3/4"	Bottom	Melamine (white 1-sided)
1	11 1/4"	x 42"	x 3/4"	Left Panel	Red Oak Plywood
1	11 1/4"	x 41 1/4"	x 3/4"	Right Panel	Melamine (white 1-sided)
2	10 1/4"	x 44 1/2"	x 3/4"	Fixed Shelf	Melamine (white 2-sided)
2	4"	x 44"	x 3/4"	Nailer	Particle Board

Custom Casework Company
 555 Niles Ave
 Chicago, IL 12345
 555-555-5555

CAB 09 [upper] [Stn File: unspecified]
 [room1] [wall2]

(W) 36 1/2" x (H) 30" x (D) 12"
 left scribe: 1/4" right scribe: 1/4"

(Overall width and height may not match cabinet width and height. Confirm by checking your measurements.)



OPENING	DESCRIPTION	WIDTH	HEIGHT
---------	-------------	-------	--------

OPENINGS			
A	Door (pair)	32"	x 25 1/2"

OPENING	DESCRIPTION	WIDTH	HEIGHT	DADO DEPTH	DADO LOCATION (From bottom of opening)
---------	-------------	-------	--------	------------	---

SHELF OPENINGS					
1A	Open	34 1/2"	x 7 3/4"	1/4"	8 1/8"
1B	Open	34 1/2"	x 8 1/8"	1/4"	16 5/8"

OPENING	QTY	DESCRIPTION
---------	-----	-------------

DOORS / DRAWER-FRONTS		
A	2	3/4"square frame (Red Oak) with raised panel(s) (Red Oak) SIZE = 16 3/8"W x 26 1/2"H x 3/4"T

QTY	WIDTH	LENGTH	THICKNESS	PART	MATERIAL
-----	-------	--------	-----------	------	----------

FACE FRAME					
1	3"	x 32"	x 3/4"	Top Rail	Red Oak
1	2 1/4"	x 30"	x 3/4"	Right Stile	Red Oak
1	2 1/4"	x 30"	x 3/4"	Left Stile	Red Oak
1	1 1/2"	x 32"	x 3/4"	Bottom Rail	Red Oak

BOX PARTS					
-----------	--	--	--	--	--

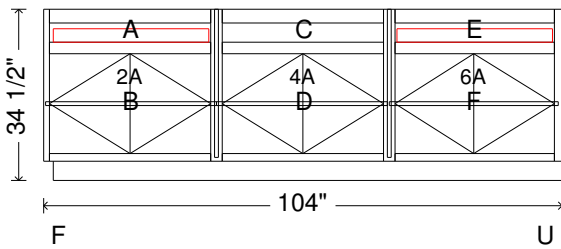
1	35"	x 28 1/4"	x 1/4"	Back	Melamine (white 1-sided)
1	11 1/4"	x 35"	x 3/4"	Top	Melamine (white 1-sided)
1	11 1/4"	x 35"	x 3/4"	Bottom	Melamine (white 1-sided)
1	11 1/4"	x 29 1/4"	x 3/4"	Right Panel	Melamine (white 1-sided)
1	11 1/4"	x 29 1/4"	x 3/4"	Left Panel	Melamine (white 1-sided)
2	10 1/4"	x 35"	x 3/4"	Fixed Shelf	Melamine (white 2-sided)
2	4"	x 34 1/2"	x 3/4"	Nailer	Particle Board

Custom Casework Company
 555 Niles Ave
 Chicago, IL 12345
 555-555-5555

CAB 06 [base] [Stn File: ff_fac.stn]
 [room1] [wall2]

(W) 104" x (H) 34 1/2" x (D) 24"
 left scribe: 0" right scribe: 1/4"

(Overall width and height may not match cabinet width and height. Confirm by checking your measurements.)



OPENING	DESCRIPTION	WIDTH	HEIGHT
OPENINGS			
A	Drawer	32 1/4"	x 4"
B	Door (pair)	32 1/4"	x 20 1/4"
C	Stove Top	32 1/4"	x 4"
D	Door (pair)	32 1/4"	x 20 1/4"
E	Drawer	32 1/4"	x 4"
F	Door (pair)	32 1/4"	x 20 1/4"

OPENING	DESCRIPTION	WIDTH	HEIGHT	DADO DEPTH	DADO LOCATION (From bottom of opening)
SHELF OPENINGS					
2A	Open	33 3/4"	x 9 3/4"	1/4"	9 3/4"
4A	Open	33 3/4"	x 9 3/4"	1/4"	9 3/4"
6A	Open	33 1/4"	x 9 3/4"	1/4"	9 3/4"

OPENING	QTY	DESCRIPTION
DOORS / DRAWER-FRONTS		
A	1	3/4"slab (horizontal grain)(Red Oak) with no edging SIZE = 33 1/4"W x 5"H x 3/4"T
C	1	3/4"slab (horizontal grain)(Red Oak) with no edging SIZE = 33 1/4"W x 5"H x 3/4"T
E	1	3/4"slab (horizontal grain)(Red Oak) with no edging SIZE = 33 1/4"W x 5"H x 3/4"T
B	2	3/4"square frame (Red Oak) with raised panel(s) (Red Oak) SIZE = 16 1/2"W x 21 1/4"H x 3/4"T
D	2	3/4"square frame (Red Oak) with raised panel(s) (Red Oak) SIZE = 16 1/2"W x 21 1/4"H x 3/4"T
F	2	3/4"square frame (Red Oak) with raised panel(s) (Red Oak) SIZE = 16 1/2"W x 21 1/4"H x 3/4"T

QTY	WIDTH	LENGTH	THICKNESS	PART	MATERIAL
FACE FRAME					
3	2 1/2"	x 32 1/4"	x 3/4"	Top Rail	Red Oak
3	2 1/4"	x 32 1/4"	x 3/4"	Center Rail	Red Oak
2	2 1/4"	x 30 1/2"	x 3/4"	Center Stile	Red Oak
3	1 1/2"	x 32 1/4"	x 3/4"	Bottom Rail	Red Oak

Custom Casework Company
 555 Niles Ave
 Chicago, IL 12345
 555-555-5555

ASSEMBLY SHEET FOR CAB 06

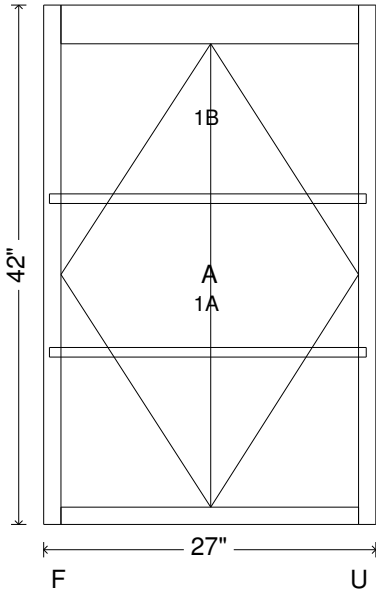
QTY	SIZE			PART	MATERIAL	
FACE FRAME (continued)						
1	1 1/2"	x	30 1/2"	x 3/4"	Left Stile	Red Oak
1	1 1/4"	x	30 1/2"	x 3/4"	Right Stile	Red Oak
BOX PARTS						
1	34 1/2"	x	29 1/4"	x 1/4"	Back	Melamine (white 1-sided)
1	34 3/8"	x	29 1/4"	x 1/4"	Back	Melamine (white 1-sided)
1	33 7/8"	x	29 1/4"	x 1/4"	Back	Melamine (white 1-sided)
1	23 1/4"	x	34"	x 3/4"	Bottom	Melamine (white 1-sided)
1	23 1/4"	x	33 3/4"	x 3/4"	Bottom	Melamine (white 1-sided)
1	23 1/4"	x	33 1/2"	x 3/4"	Bottom	Melamine (white 1-sided)
1	23 1/4"	x	30 1/2"	x 3/4"	Left Panel	Red Oak Plywood
1	23 1/4"	x	29 3/4"	x 3/4"	Right Panel	Melamine (white 1-sided)
2	22 1/4"	x	34 1/4"	x 3/4"	Fixed Shelf	Melamine (white 2-sided)
1	22 1/4"	x	33 3/4"	x 3/4"	Fixed Shelf	Melamine (white 2-sided)
2	22 1/4"	x	29 3/4"	x 3/4"	Partition	Melamine (white 2-sided)
1	4 3/4"	x	102"	x 3/4"	Back Toe Kick	Particle Board
1	4 3/4"	x	102"	x 3/4"	Front Toe Kick	Particle Board
9	4 3/4"	x	18 1/4"	x 3/4"	Sleeper	Particle Board
4	4"	x	33 3/4"	x 3/4"	Stretcher	Particle Board
4	4"	x	33 3/4"	x 3/4"	Nailer	Particle Board
2	4"	x	33 1/4"	x 3/4"	Stretcher	Particle Board
2	4"	x	33 1/4"	x 3/4"	Nailer	Particle Board

Custom Casework Company
 555 Niles Ave
 Chicago, IL 12345
 555-555-5555

CAB 15 [upper] [Stn File: ff_fac.stn]
 [room1] [wall1]

(W) 27" x (H) 42" x (D) 12"
 left scribe: 0" right scribe: 1/4"

(Overall width and height may not match cabinet width and height. Confirm by checking your measurements.)



OPENING	DESCRIPTION	WIDTH	HEIGHT
OPENINGS			
A	Door (pair)	24 1/4"	x 37 1/2"

OPENING	DESCRIPTION	WIDTH	HEIGHT	DADO DEPTH	DADO LOCATION (From bottom of opening)
SHELF OPENINGS					
1A	Open	25 1/4"	x 11 3/4"	1/4"	12 1/8"
1B	Open	25 1/4"	x 12 1/8"	1/4"	24 5/8"

OPENING	QTY	DESCRIPTION
DOORS / DRAWER-FRONTS		
A	2	3/4"square frame (Red Oak) with raised panel(s) (Red Oak) SIZE = 12 1/2"W x 38 1/2"H x 3/4"T

QTY	WIDTH	LENGTH	THICKNESS	PART	MATERIAL
FACE FRAME					
1	3"	x 24 1/4"	x 3/4"	Top Rail	Red Oak
1	1 1/2"	x 42"	x 3/4"	Left Stile	Red Oak
1	1 1/2"	x 24 1/4"	x 3/4"	Bottom Rail	Red Oak
1	1 1/4"	x 42"	x 3/4"	Right Stile	Red Oak

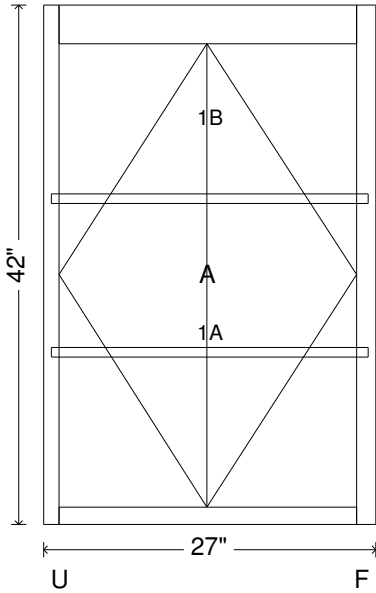
BOX PARTS					
1	25 3/4"	x 40 1/4"	x 1/4"	Back	Melamine (white 1-sided)
1	11 1/4"	x 42"	x 3/4"	Left Panel	Red Oak Plywood
1	11 1/4"	x 41 1/4"	x 3/4"	Right Panel	Melamine (white 1-sided)
1	11 1/4"	x 25 3/4"	x 3/4"	Bottom	Melamine (white 1-sided)
1	11 1/4"	x 25 3/4"	x 3/4"	Top	Melamine (white 1-sided)
2	10 1/4"	x 25 3/4"	x 3/4"	Fixed Shelf	Melamine (white 2-sided)
2	4"	x 25 1/4"	x 3/4"	Nailer	Particle Board

Custom Casework Company
 555 Niles Ave
 Chicago, IL 12345
 555-555-5555

CAB 14 [upper] [Stn File: ff_fac.stn]
 [room1] [wall1]

(W) 27" x (H) 42" x (D) 12"
 left scribe: 1/4" right scribe: 0"

(Overall width and height may not match cabinet width and height. Confirm by checking your measurements.)



OPENING	DESCRIPTION	WIDTH	HEIGHT
---------	-------------	-------	--------

OPENINGS

A	Door (pair)	24 1/4"	x 37 1/2"
---	-------------	---------	-----------

OPENING	DESCRIPTION	WIDTH	HEIGHT	DADO DEPTH	DADO LOCATION (From bottom of opening)
---------	-------------	-------	--------	------------	---

SHELF OPENINGS

1A	Open	25 1/4"	x 11 3/4"	1/4"	12 1/8"
1B	Open	25 1/4"	x 12 1/8"	1/4"	24 5/8"

OPENING	QTY	DESCRIPTION
---------	-----	-------------

DOORS / DRAWER-FRONTS

A	2	3/4"square frame (Red Oak) with raised panel(s) (Red Oak) SIZE = 12 1/2"W x 38 1/2"H x 3/4"T
---	---	---

QTY	WIDTH	LENGTH	THICKNESS	PART	MATERIAL
-----	-------	--------	-----------	------	----------

FACE FRAME

1	3"	x 24 1/4"	x 3/4"	Top Rail	Red Oak
1	1 1/2"	x 42"	x 3/4"	Right Stile	Red Oak
1	1 1/2"	x 24 1/4"	x 3/4"	Bottom Rail	Red Oak
1	1 1/4"	x 42"	x 3/4"	Left Stile	Red Oak

BOX PARTS

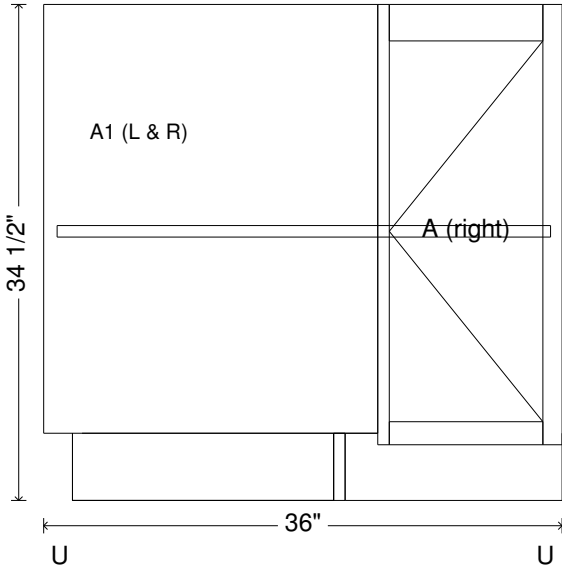
1	25 3/4"	x 40 1/4"	x 1/4"	Back	Melamine (white 1-sided)
1	11 1/4"	x 42"	x 3/4"	Right Panel	Red Oak Plywood
1	11 1/4"	x 41 1/4"	x 3/4"	Left Panel	Melamine (white 1-sided)
1	11 1/4"	x 25 3/4"	x 3/4"	Bottom	Melamine (white 1-sided)
1	11 1/4"	x 25 3/4"	x 3/4"	Top	Melamine (white 1-sided)
2	10 1/4"	x 25 3/4"	x 3/4"	Fixed Shelf	Melamine (white 2-sided)
2	4"	x 25 1/4"	x 3/4"	Nailer	Particle Board

Custom Casework Company
 555 Niles Ave
 Chicago, IL 12345
 555-555-5555

CAB 13 [base] [Stn File: ff_fac.stn]
 [room1] [wall1]

(W) 36" x (H) 34 1/2" x (D) 36"
 left scribe: 1/4" right scribe: 1/4"

(Overall width and height may not match cabinet width and height. Confirm by checking your measurements.)



OPENING	DESCRIPTION	WIDTH	HEIGHT
OPENINGS			
A (left)	Door (single)	10 3/4"	x 26 1/2"
A (right)	Door (single)	10 3/4"	x 26 1/2"

OPENING	DESCRIPTION	WIDTH	HEIGHT	DADO DEPTH	DADO LOCATION
SHELF OPENINGS					
A1 (L & R)	Open	10 3/4" x	12 7/8"	1/4"	12 7/8"

OPENING	QTY	DESCRIPTION
DOORS / DRAWER-FRONTS		
A (left)	1	3/4"square frame (Red Oak) with raised panel(s) (Red Oak) SIZE = 10 1/2"W x 27 1/2"H x 3/4"T
A (right)	1	3/4"square frame (Red Oak) with raised panel(s) (Red Oak) SIZE = 10 1/2"W x 27 1/2"H x 3/4"T

QTY	WIDTH	LENGTH	THICKNESS	PART	MATERIAL
FACE FRAME					
1	2 1/2"	x 11 1/2"	x 3/4"	Corner Top Rail	Red Oak
1	2 1/2"	x 10 3/4"	x 3/4"	Top Rail	Red Oak
1	1 1/2"	x 11 1/2"	x 3/4"	Corner Bottom Rail	Red Oak
1	1 1/2"	x 10 3/4"	x 3/4"	Bottom Rail	Red Oak
1	1 1/4"	x 30 1/2"	x 3/4"	Corner Left Stile	Red Oak
1	1 1/4"	x 30 1/2"	x 3/4"	Right Stile	Red Oak

BOX PARTS					
1	35 1/4"	x 35 1/4"	x 3/4"	Bottom	Melamine (white 1-sided)
1	34 1/2"	x 29 1/4"	x 1/4"	Corner Back	Melamine (white 1-sided)
1	34 1/4"	x 34 1/4"	x 3/4"	Fixed Shelf	Melamine (white 2-sided)
1	34 1/4"	x 29 1/4"	x 1/4"	Back	Melamine (white 1-sided)
1	23 1/4"	x 29 3/4"	x 3/4"	Right Panel	Melamine (white 1-sided)
1	23 1/4"	x 29 3/4"	x 3/4"	Corner Left Panel	Melamine (white 1-sided)
1	4 3/4"	x 36"	x 3/4"	Corner Back Toe Kick	Particle Board
1	4 3/4"	x 33 1/4"	x 3/4"	Back Toe Kick	Particle Board
3	4 3/4"	x 18 1/4"	x 3/4"	Sleeper	Particle Board
3	4 3/4"	x 18 1/4"	x 3/4"	Corner Sleeper	Particle Board

Custom Casework Company
 555 Niles Ave
 Chicago, IL 12345
 555-555-5555

ASSEMBLY SHEET FOR CAB 13

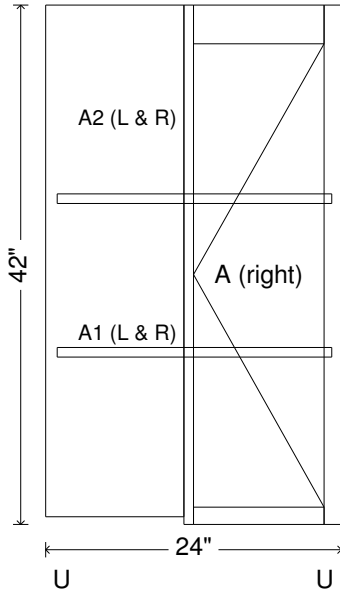
QTY	SIZE			PART	MATERIAL	
BOX PARTS (continued)						
<input type="checkbox"/> 1	4 3/4"	x	15 3/4"	x 3/4"	Corner Toe Kick	Particle Board
<input type="checkbox"/> 1	4 3/4"	x	15"	x 3/4"	Front Toe Kick	Particle Board
<input type="checkbox"/> 2	4"	x	34"	x 3/4"	Corner Nailer	Particle Board
<input type="checkbox"/> 2	4"	x	33 1/4"	x 3/4"	Nailer	Particle Board
<input type="checkbox"/> 1	4"	x	33 1/4"	x 3/4"	Corner Stretcher	Particle Board
<input type="checkbox"/> 1	4"	x	29 1/4"	x 3/4"	Corner Stretcher	Particle Board
<input type="checkbox"/> 1	4"	x	29 1/4"	x 3/4"	Stretcher	Particle Board
<input type="checkbox"/> 1	4"	x	11 3/4"	x 3/4"	Stretcher	Particle Board

Custom Casework Company
 555 Niles Ave
 Chicago, IL 12345
 555-555-5555

CAB 12 [upper] [Stn File: ff_fac.stn]
 [room1] [wall1]

(W) 24" x (H) 42" x (D) 24"
 left scribe: 1/4" right scribe: 1/4"

(Overall width and height may not match cabinet width and height. Confirm by checking your measurements.)



OPENING	DESCRIPTION	WIDTH	HEIGHT
OPENINGS			
A (left)	Door (single)	10 3/4"	x 37 1/2"
A (right)	Door (single)	10 3/4"	x 37 1/2"

OPENING	DESCRIPTION	WIDTH	HEIGHT	DADO DEPTH	DADO LOCATION (From bottom of opening)
SHELF OPENINGS					
A1 (L & R)	Open	10 3/4" x	11 3/4"	1/4"	12 1/8"
A2 (L & R)	Open	10 3/4" x	12 1/8"	1/4"	24 5/8"

OPENING	QTY	DESCRIPTION
DOORS / DRAWER-FRONTS		
A (left)	1	3/4"square frame (Red Oak) with raised panel(s) (Red Oak) SIZE = 10 1/2"W x 38 1/2"H x 3/4"T
A (right)	1	3/4"square frame (Red Oak) with raised panel(s) (Red Oak) SIZE = 10 1/2"W x 38 1/2"H x 3/4"T

QTY	WIDTH	LENGTH	THICKNESS	PART	MATERIAL
FACE FRAME					
1	3"	x 11 1/2"	x 3/4"	Corner Top Rail	Red Oak
1	3"	x 10 3/4"	x 3/4"	Top Rail	Red Oak
1	1 1/2"	x 11 1/2"	x 3/4"	Corner Bottom Rail	Red Oak
1	1 1/2"	x 10 3/4"	x 3/4"	Bottom Rail	Red Oak
1	1 1/4"	x 42"	x 3/4"	Corner Left Stile	Red Oak
1	1 1/4"	x 42"	x 3/4"	Right Stile	Red Oak

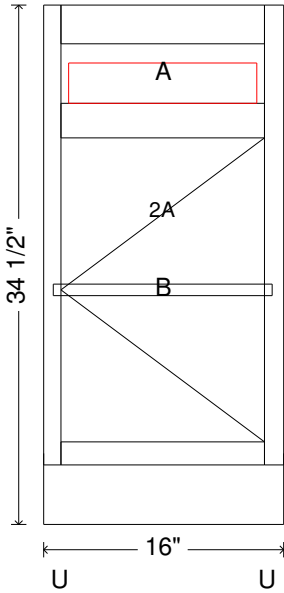
QTY	WIDTH	LENGTH	THICKNESS	PART	MATERIAL
BOX PARTS					
1	23 1/4"	x 23 1/4"	x 3/4"	Top	Melamine (white 1-sided)
1	23 1/4"	x 23 1/4"	x 3/4"	Bottom	Melamine (white 1-sided)
1	22 1/2"	x 40 1/4"	x 1/4"	Corner Back	Melamine (white 1-sided)
1	22 1/4"	x 40 1/4"	x 1/4"	Back	Melamine (white 1-sided)
2	22 1/4"	x 22 1/4"	x 3/4"	Fixed Shelf	Melamine (white 2-sided)
1	11 1/4"	x 41 1/4"	x 3/4"	Right Panel	Melamine (white 1-sided)
1	11 1/4"	x 41 1/4"	x 3/4"	Corner Left Panel	Melamine (white 1-sided)
2	4"	x 22"	x 3/4"	Corner Nailers	Particle Board
2	4"	x 21 1/4"	x 3/4"	Nailers	Particle Board

Custom Casework Company
 555 Niles Ave
 Chicago, IL 12345
 555-555-5555

CAB 08 [base] [Stn File: ff_fac.stn]
 [room1] [wall1]

(W) 16" x (H) 34 1/2" x (D) 24"
 left scribe: 1/4" right scribe: 1/4"

(Overall width and height may not match cabinet width and height. Confirm by checking your measurements.)



OPENING	DESCRIPTION	WIDTH	HEIGHT
OPENINGS			
A	Drawer	13 1/2"	x 4"
B	Door (single)	13 1/2"	x 20 1/4"

OPENING	DESCRIPTION	WIDTH	HEIGHT	DADO DEPTH	DADO LOCATION (From bottom of opening)
SHELF OPENINGS					
2A	Open	14"	x 9 3/4"	1/4"	9 3/4"

OPENING	QTY	DESCRIPTION
DOORS / DRAWER-FRONTS		
B	1	3/4"square frame (Red Oak) with raised panel(s) (Red Oak) SIZE = 14 1/2"W x 21 1/4"H x 3/4"T
A	1	3/4"slab (horizontal grain)(Red Oak) with no edging SIZE = 14 1/2"W x 5"H x 3/4"T

QTY	WIDTH	LENGTH	THICKNESS	PART	MATERIAL
FACE FRAME					
1	2 1/2"	x 13 1/2"	x 3/4"	Top Rail	Red Oak
1	2 1/4"	x 13 1/2"	x 3/4"	Center Rail	Red Oak
1	1 1/2"	x 13 1/2"	x 3/4"	Bottom Rail	Red Oak
1	1 1/4"	x 30 1/2"	x 3/4"	Right Stile	Red Oak
1	1 1/4"	x 30 1/2"	x 3/4"	Left Stile	Red Oak

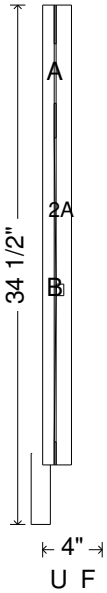
BOX PARTS					
1	23 1/4"	x 29 3/4"	x 3/4"	Right Panel	Melamine (white 1-sided)
1	23 1/4"	x 29 3/4"	x 3/4"	Left Panel	Melamine (white 1-sided)
1	23 1/4"	x 14 1/2"	x 3/4"	Bottom	Melamine (white 1-sided)
1	22 1/4"	x 14 1/2"	x 3/4"	Fixed Shelf	Melamine (white 2-sided)
1	14 1/2"	x 29 1/4"	x 1/4"	Back	Melamine (white 1-sided)
3	4 3/4"	x 18 1/4"	x 3/4"	Sleeper	Particle Board
1	4 3/4"	x 16"	x 3/4"	Back Toe Kick	Particle Board
1	4 3/4"	x 16"	x 3/4"	Front Toe Kick	Particle Board
2	4"	x 14"	x 3/4"	Stretcher	Particle Board
2	4"	x 14"	x 3/4"	Nailer	Particle Board

Custom Casework Company
 555 Niles Ave
 Chicago, IL 12345
 555-555-5555

CAB 07 [base] [Stn File: ff_fac.stn]
 [room1] [wall1]

(W) 2" x (H) 34 1/2" x (D) 26"
 left scribe: 1/4" right scribe: 0"

(Overall width and height may not match cabinet width and height. Confirm by checking your measurements.)



STYLE	CLIP	DEGREES	APPLY TO		
RADIUS INFORMATION					
Clipped R End Base	2"	45.00°	Right Side		
OPENING	DESCRIPTION	WIDTH	HEIGHT		
OPENINGS					
A	False-Front	5/64"	x 4"		
B	Door (single)	5/64"	x 20 1/4"		
OPENING	DESCRIPTION	WIDTH	HEIGHT	DADO DEPTH	DADO LOCATION
SHELF OPENINGS					
2A	Open	1/4"	x 9 3/4"	1/4"	9 3/4"
OPENING	QTY	DESCRIPTION			
DOORS / DRAWER-FRONTS					
B	1	3/4"square frame (Red Oak) with raised panel(s) (Red Oak) SIZE = 1 5/64"W x 21 1/4"H x 3/4"T			
A	1	3/4"slab (horizontal grain)(Red Oak) with no edging SIZE = 1 5/64"W x 5"H x 3/4"T			
QTY	WIDTH	LENGTH	THICKNESS	PART	MATERIAL
FACE FRAME					
1	2 1/2"	x 5/64"	x 3/4"	Top Rail	Red Oak
1	2 1/4"	x 5/64"	x 3/4"	Center Rail	Red Oak
1	1 1/2"	x 30 1/2"	x 3/4"	Right Stile	Red Oak
1	1 1/2"	x 5/64"	x 3/4"	Bottom Rail	Red Oak
1	1 1/4"	x 30 1/2"	x 3/4"	Left Stile	Red Oak
BOX PARTS					
1	24 11/16"	x 29 3/4"	x 3/4"	Left Panel	Melamine (white 1-sided)
1	24 3/8"	x 3/4"	x 3/4"	Bottom	Melamine (white 1-sided)
1	24 1/4"	x 3/4"	x 3/4"	Fixed Shelf	Melamine (white 2-sided)
1	24"	x 30 1/2"	x 3/4"	Right Panel	Red Oak Plywood
1	4 3/4"	x 20 1/4"	x 3/4"	Sleeper	Particle Board
1	4 3/4"	x 18 1/4"	x 3/4"	Sleeper	Particle Board

Custom Casework Company
 555 Niles Ave
 Chicago, IL 12345
 555-555-5555

ASSEMBLY SHEET FOR CAB 07

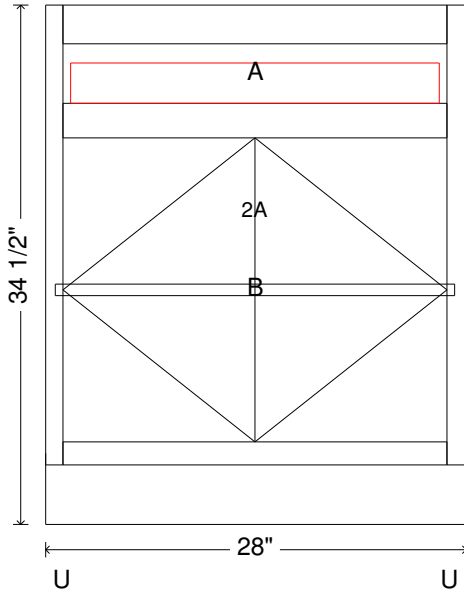
QTY	SIZE			PART	MATERIAL
BOX PARTS (continued)					
1	4 3/4"	x 2"	x 3/4"	Front Toe Kick	Particle Board
1	4"	x 45/64"	x 3/4"	Angled Stretcher	Particle Board
1	4"	x 1/4"	x 3/4"	Stretcher	Particle Board
2	4"	x 1/4"	x 3/4"	Nailer	Particle Board
1	3/4"	x 29 1/4"	x 1/4"	Back	Melamine (white 1-sided)

Custom Casework Company
 555 Niles Ave
 Chicago, IL 12345
 555-555-5555

CAB 05 [base] [Stn File: ff_fac.stn]
 [room1] [wall1]

(W) 28" x (H) 34 1/2" x (D) 24"
 left scribe: 1/4" right scribe: 1/4"

(Overall width and height may not match cabinet width and height. Confirm by checking your measurements.)



OPENING	DESCRIPTION	WIDTH	HEIGHT
OPENINGS			
A	Drawer	25 1/2"	x 4"
B	Door (pair)	25 1/2"	x 20 1/4"

OPENING	DESCRIPTION	WIDTH	HEIGHT	DADO DEPTH	DADO LOCATION (From bottom of opening)
SHELF OPENINGS					
2A	Open	26"	x 9 3/4"	1/4"	9 3/4"

OPENING	QTY	DESCRIPTION
DOORS / DRAWER-FRONTS		
A	1	3/4"slab (horizontal grain)(Red Oak) with no edging SIZE = 26 1/2"W x 5"H x 3/4"T
B	2	3/4"square frame (Red Oak) with raised panel(s) (Red Oak) SIZE = 13 1/8"W x 21 1/4"H x 3/4"T

QTY	WIDTH	LENGTH	THICKNESS	PART	MATERIAL
FACE FRAME					
1	2 1/2"	x 25 1/2"	x 3/4"	Top Rail	Red Oak
1	2 1/4"	x 25 1/2"	x 3/4"	Center Rail	Red Oak
1	1 1/2"	x 25 1/2"	x 3/4"	Bottom Rail	Red Oak
1	1 1/4"	x 30 1/2"	x 3/4"	Left Stile	Red Oak
1	1 1/4"	x 30 1/2"	x 3/4"	Right Stile	Red Oak

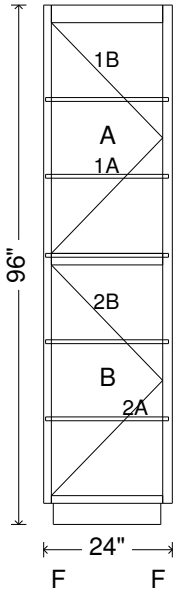
QTY	WIDTH	LENGTH	THICKNESS	PART	MATERIAL
BOX PARTS					
1	26 1/2"	x 29 1/4"	x 1/4"	Back	Melamine (white 1-sided)
1	23 1/4"	x 29 3/4"	x 3/4"	Left Panel	Melamine (white 1-sided)
1	23 1/4"	x 29 3/4"	x 3/4"	Right Panel	Melamine (white 1-sided)
1	23 1/4"	x 26 1/2"	x 3/4"	Bottom	Melamine (white 1-sided)
1	22 1/4"	x 26 1/2"	x 3/4"	Fixed Shelf	Melamine (white 2-sided)
1	4 3/4"	x 28"	x 3/4"	Front Toe Kick	Particle Board
1	4 3/4"	x 28"	x 3/4"	Back Toe Kick	Particle Board
4	4 3/4"	x 18 1/4"	x 3/4"	Sleeper	Particle Board
2	4"	x 26"	x 3/4"	Nailer	Particle Board
2	4"	x 26"	x 3/4"	Stretcher	Particle Board

Custom Casework Company
 555 Niles Ave
 Chicago, IL 12345
 555-555-5555

CAB 04 [full-height] [Stn File: ff_fac.stn]
 [room1] [wall1]

(W) 24" x (H) 96" x (D) 25"
 left scribe: 0" right scribe: 0"

(Overall width and height may not match cabinet width and height. Confirm by checking your measurements.)



OPENING	DESCRIPTION	WIDTH	HEIGHT
OPENINGS			
A	Door (single)	21"	x 42 5/8"
B	Door (single)	21"	x 42 5/8"

OPENING	DESCRIPTION	WIDTH	HEIGHT	DADO DEPTH	DADO LOCATION (From bottom of opening)
SHELF OPENINGS					
1A	Open	22 1/2" x	13 29/64"	1/4"	13 53/64"
1B	Open	22 1/2" x	13 53/64"	1/4"	28 3/64"
2A	Open	22 1/2" x	13 29/64"	1/4"	13 53/64"
2B	Open	22 1/2" x	13 53/64"	1/4"	28 3/64"

OPENING	QTY	DESCRIPTION
DOORS / DRAWER-FRONTS		
A	1	3/4"square frame (Red Oak) with raised panel(s) (Red Oak) SIZE = 22"W x 43 5/8"H x 3/4"T
B	1	3/4"square frame (Red Oak) with raised panel(s) (Red Oak) SIZE = 22"W x 43 5/8"H x 3/4"T

QTY	WIDTH	LENGTH	THICKNESS	PART	MATERIAL
FACE FRAME					
1	3"	x 21"	x 3/4"	Top Rail	Red Oak
1	2 1/4"	x 21"	x 3/4"	Center Rail	Red Oak
1	1 1/2"	x 92"	x 3/4"	Right Stile	Red Oak
1	1 1/2"	x 92"	x 3/4"	Left Stile	Red Oak
1	1 1/2"	x 21"	x 3/4"	Bottom Rail	Red Oak

QTY	WIDTH	LENGTH	THICKNESS	PART	MATERIAL
BOX PARTS					
1	24 1/4"	x 92"	x 3/4"	Right Panel	Red Oak Plywood
1	24 1/4"	x 92"	x 3/4"	Left Panel	Red Oak Plywood
1	24 1/4"	x 23"	x 3/4"	Top	Melamine (white 1-sided)
1	24 1/4"	x 23"	x 3/4"	Bottom	Melamine (white 1-sided)
5	23 1/4"	x 23"	x 3/4"	Fixed Shelf	Melamine (white 2-sided)
1	23"	x 90 1/4"	x 1/4"	Back	Melamine (white 1-sided)
1	4 3/4"	x 20"	x 3/4"	Back Toe Kick	Particle Board
1	4 3/4"	x 20"	x 3/4"	Front Toe Kick	Particle Board

Custom Casework Company
555 Niles Ave
Chicago, IL 12345
555-555-5555

ASSEMBLY SHEET FOR CAB 04

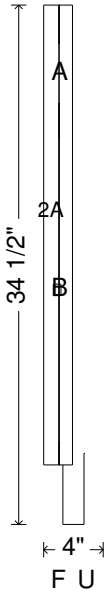
QTY	SIZE	PART		MATERIAL	
BOX PARTS (continued)					
3	4 3/4"	x 19 1/4"	x 3/4"	Sleeper	Particle Board
3	4"	x 22 1/2"	x 3/4"	Nailer	Particle Board

Custom Casework Company
 555 Niles Ave
 Chicago, IL 12345
 555-555-5555

CAB 03 [base] [Stn File: ff_fac.stn]
 [room1] [wall1]

(W) 2" x (H) 34 1/2" x (D) 26"
 left scribe: 0" right scribe: 1/4"

(Overall width and height may not match cabinet width and height. Confirm by checking your measurements.)



STYLE	CLIP	DEGREES	APPLY TO		
RADIUS INFORMATION					
Clipped L End Base	2"	45.00°	Left Side		
OPENING	DESCRIPTION	WIDTH	HEIGHT		
OPENINGS					
A	False-Front	5/64"	x 4"		
B	Door (single)	5/64"	x 20 1/4"		
OPENING	DESCRIPTION	WIDTH	HEIGHT	DADO DEPTH	DADO LOCATION
SHELF OPENINGS					
2A	Open	1/4"	x 9 3/4"	1/4"	9 3/4"
OPENING	QTY	DESCRIPTION			
DOORS / DRAWER-FRONTS					
B	1	3/4"square frame (Red Oak) with raised panel(s) (Red Oak) SIZE = 1 5/64"W x 21 1/4"H x 3/4"T			
A	1	3/4"slab (horizontal grain)(Red Oak) with no edging SIZE = 1 5/64"W x 5"H x 3/4"T			
QTY	WIDTH	LENGTH	THICKNESS	PART	MATERIAL
FACE FRAME					
1	2 1/2"	x 5/64"	x 3/4"	Top Rail	Red Oak
1	2 1/4"	x 5/64"	x 3/4"	Center Rail	Red Oak
1	1 1/2"	x 30 1/2"	x 3/4"	Left Stile	Red Oak
1	1 1/2"	x 5/64"	x 3/4"	Bottom Rail	Red Oak
1	1 1/4"	x 30 1/2"	x 3/4"	Right Stile	Red Oak
BOX PARTS					
1	24 11/16"	x 29 3/4"	x 3/4"	Right Panel	Melamine (white 1-sided)
1	24 3/8"	x 3/4"	x 3/4"	Bottom	Melamine (white 1-sided)
1	24 1/4"	x 3/4"	x 3/4"	Fixed Shelf	Melamine (white 2-sided)
1	24"	x 30 1/2"	x 3/4"	Left Panel	Red Oak Plywood
1	4 3/4"	x 20 1/4"	x 3/4"	Sleeper	Particle Board
1	4 3/4"	x 18 1/4"	x 3/4"	Sleeper	Particle Board

Custom Casework Company
 555 Niles Ave
 Chicago, IL 12345
 555-555-5555

ASSEMBLY SHEET FOR CAB 03

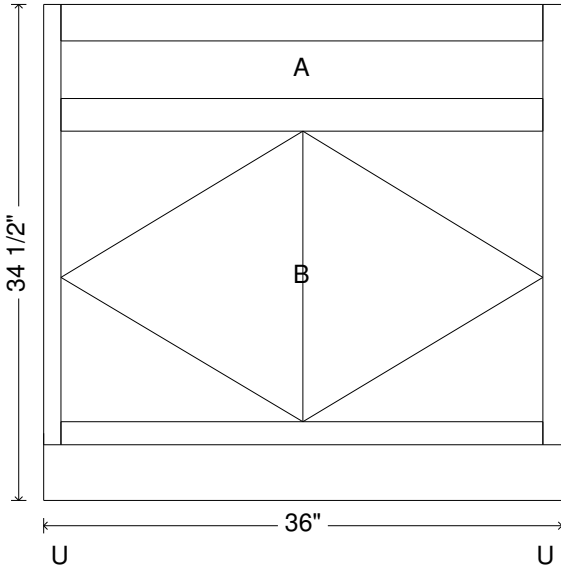
QTY	SIZE			PART	MATERIAL
BOX PARTS (continued)					
1	4 3/4"	x 2"	x 3/4"	Front Toe Kick	Particle Board
1	4"	x 45/64"	x 3/4"	Angled Stretcher	Particle Board
1	4"	x 1/4"	x 3/4"	Stretcher	Particle Board
2	4"	x 1/4"	x 3/4"	Nailer	Particle Board
1	3/4"	x 29 1/4"	x 1/4"	Back	Melamine (white 1-sided)

Custom Casework Company
 555 Niles Ave
 Chicago, IL 12345
 555-555-5555

CAB 01 [base] [Stn File: ff_fac.stn]
 [room1] [wall1]

(W) 36" x (H) 34 1/2" x (D) 26"
 left scribe: 1/4" right scribe: 1/4"

(Overall width and height may not match cabinet width and height. Confirm by checking your measurements.)



OPENING	DESCRIPTION	WIDTH	HEIGHT
OPENINGS			
A	False-Front	33 1/2"	x 4"
B	Door (pair)	33 1/2"	x 20 1/4"

OPENING	QTY	DESCRIPTION
DOORS / DRAWER-FRONTS		
A	1	3/4"slab (horizontal grain)(Red Oak) with no edging SIZE = 34 1/2"W x 5"H x 3/4"T
B	2	3/4"square frame (Red Oak) with raised panel(s) (Red Oak) SIZE = 17 1/8"W x 21 1/4"H x 3/4"T

QTY	WIDTH	LENGTH	THICKNESS	PART	MATERIAL
FACE FRAME					
1	2 1/2"	x 33 1/2"	x 3/4"	Top Rail	Red Oak
1	2 1/4"	x 33 1/2"	x 3/4"	Center Rail	Red Oak
1	1 1/2"	x 33 1/2"	x 3/4"	Bottom Rail	Red Oak
1	1 1/4"	x 30 1/2"	x 3/4"	Right Stile	Red Oak
1	1 1/4"	x 30 1/2"	x 3/4"	Left Stile	Red Oak

BOX PARTS					
1	34 1/2"	x 29 1/4"	x 1/4"	Back	Melamine (white 1-sided)
1	25 1/4"	x 34 1/2"	x 3/4"	Bottom	Melamine (white 1-sided)
1	25 1/4"	x 29 3/4"	x 3/4"	Right Panel	Melamine (white 1-sided)
1	25 1/4"	x 29 3/4"	x 3/4"	Left Panel	Melamine (white 1-sided)
1	4 3/4"	x 36"	x 3/4"	Back Toe Kick	Particle Board
1	4 3/4"	x 36"	x 3/4"	Front Toe Kick	Particle Board
4	4 3/4"	x 20 1/4"	x 3/4"	Sleeper	Particle Board
2	4"	x 34"	x 3/4"	Stretcher	Particle Board
2	4"	x 34"	x 3/4"	Nailer	Particle Board